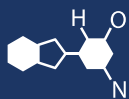


# IF YOU...



MIX IT. FILL IT. PACK IT. SHIP IT.

# WE HAVE A PRODUCT FOR YOU

Part #: 30W5FS

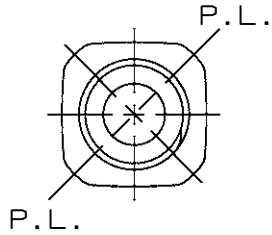
Glass French Square Jars

1/2 oz. French Square Glass Jar, 20mm 20-400



The  
**CARY**COMPANY  
Est. 1895

1195 W. Fullerton Ave. | Addison, IL 60101 | T: 630.629.6600 | F: 630.629.3690 |



Ⓓ

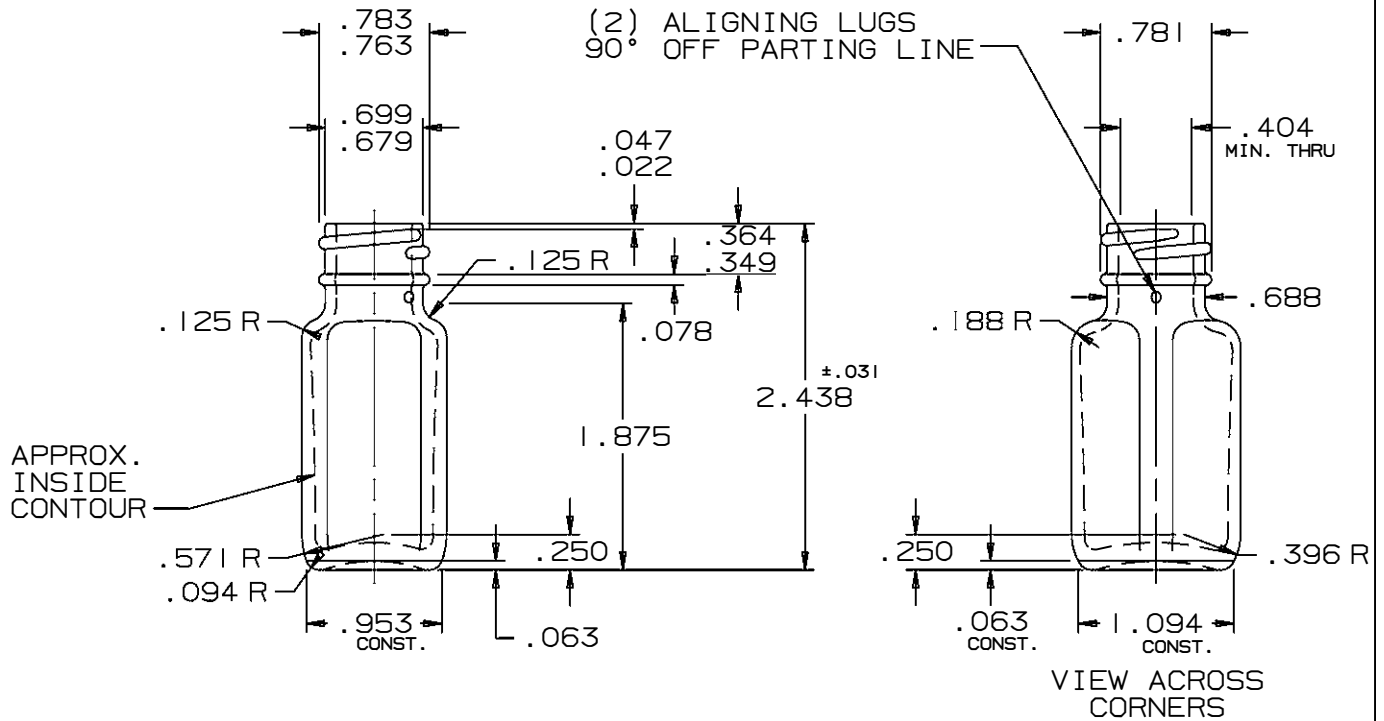
MIN. DISTRIBUTION:  
 .030 MIN OVERALL  
 .025 MIN @ SHOULDER

DEPRESSED THD @ SEAMS

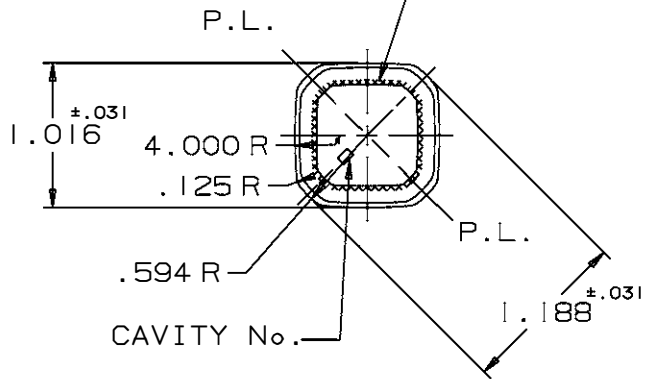
SIGHT "H" DOWN "E"

Ⓐ

(2) ALIGNING LUGS  
 90° OFF PARTING LINE



STIPPLE BEARING SURFACE



Ⓓ ADD MIN WALL REQUIREMENTS  
 6/11/14

Ⓒ ADD INSIDE CONTOUR 6/11/14

Ⓑ "GG" REMOVED PER FR  
 9.21.07

Ⓐ ALIGNING LUGS ADDED  
 AT SAMPLING 7-29-96

REVISIONS

A017052

CUSTOMER	MOLD REGISTER NO. S-4264R	DATE DRAWN 1/30/96	Ⓑ "GG" REMOVED PER FR 9.21.07
TITLE FRENCH SQUARE	SCALE FULL UNLESS OTHERWISE SPECIFIED	DRAWN BY ZANE	Ⓐ ALIGNING LUGS ADDED AT SAMPLING 7-29-96
PRACTICAL FILL 1/2 oz.	APPROX. WGT. .846oz	CHECKED BY	REVISIONS
CAPACITY 20.7cc ± 1cc OF	The CARY COMPANY Est. 1895		DRAWING NO: DE-37464D
FINISH GPI 400-20-405	24.0 GRAMS, FLINT		