

IF YOU...



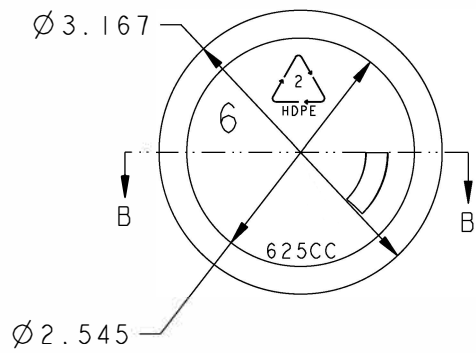
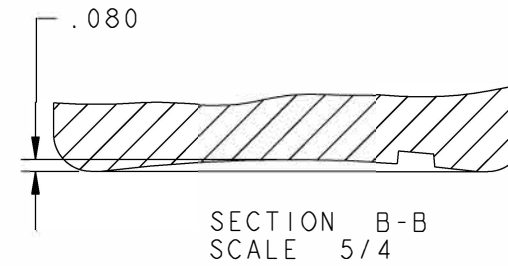
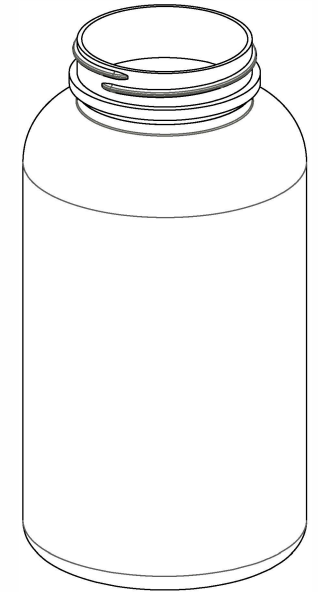
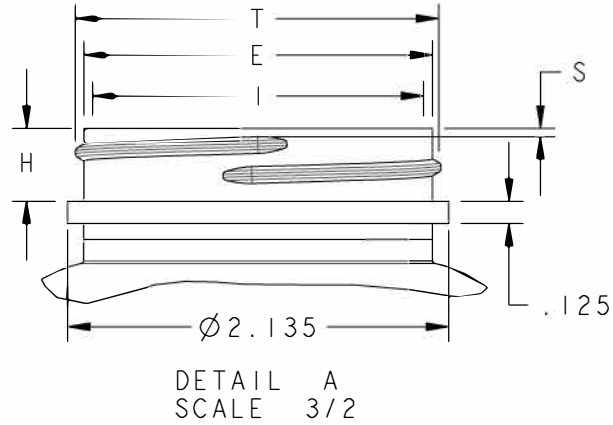
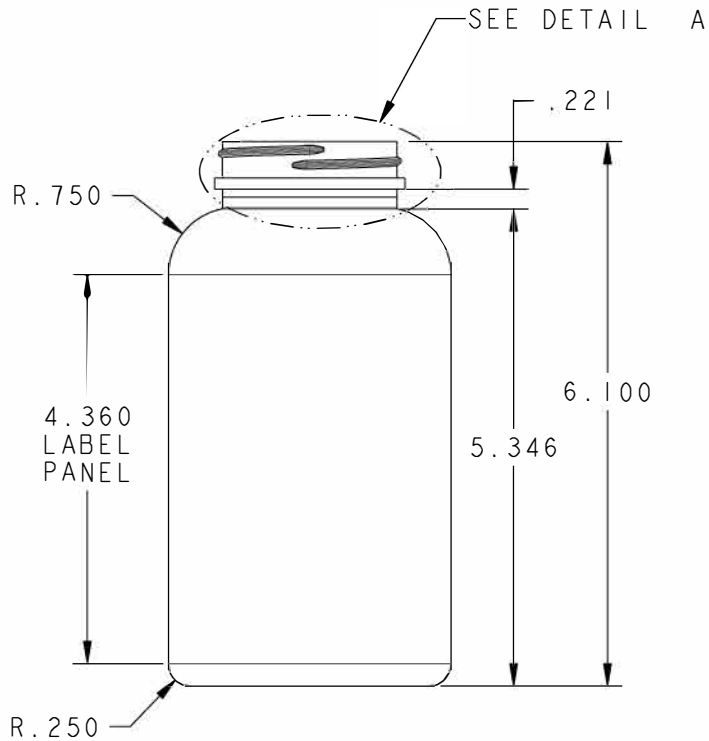
MIX IT. FILL IT. PACK IT. SHIP IT.

WE HAVE A **PRODUCT** FOR YOU

Part # 30W625

21 oz. (625cc) Natural HDPE Plastic Packer
Bottle, 53mm 53-400





Neck Finish: L53SP400				p y			
©Alpha Packaging, Inc. All measurements are in inches, [Metric]	Min Thk	Color	Weight	Std. Pack	Revisions		
	.015	All Colors	39.5 Gms±2	140, Stack	A	Std print format, 04/11/00, SJ	Scale: _____ Drawn By: SCT Date: 08-06-99
					B	Doc chg only, 07/01/04, sct	
					C	Pack was 119, sct 8/27/04	
				D	Revise AP logo, sct 4/25/13		
Neck Dimensions:				Tolerance: Where not shown Decimal ±0.05 [1,27] Angular ±1°			
T = 2.049±.018 E = 1.955±.018 H = .408±.015 I = 1.578 MIN S = .046±.015				Material: HDPE			
Overflow Capacity: 665 ml ± 13				625cc STRAIGHT SIDED, HDPE 53-400 CT, IBM 625S53 D			
				Approved By: SJ Drawing NO: 625PS2XX53L400			