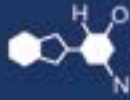


IF YOU...



MIX IT. FILL IT. PACK IT. SHIP IT.

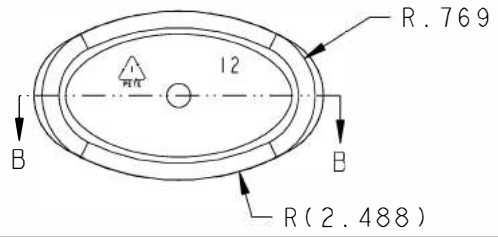
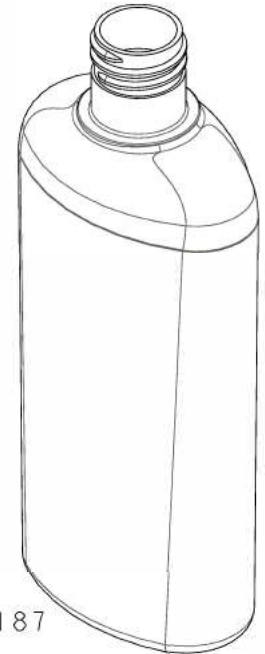
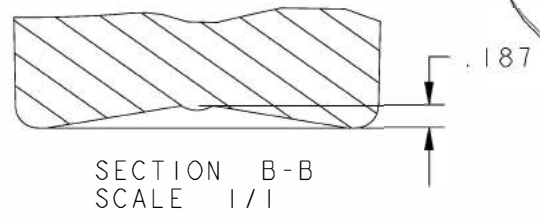
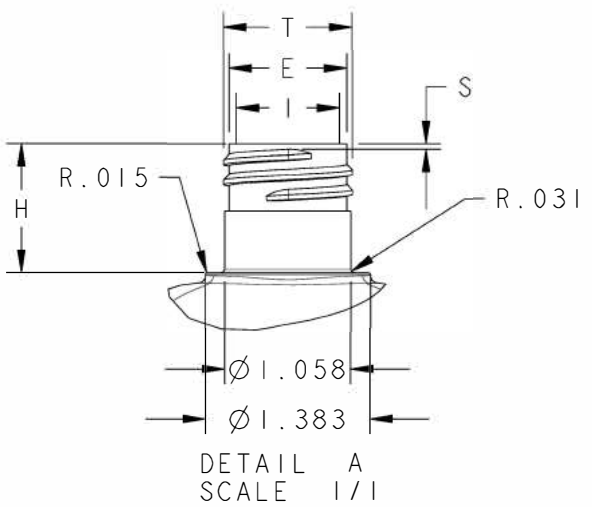
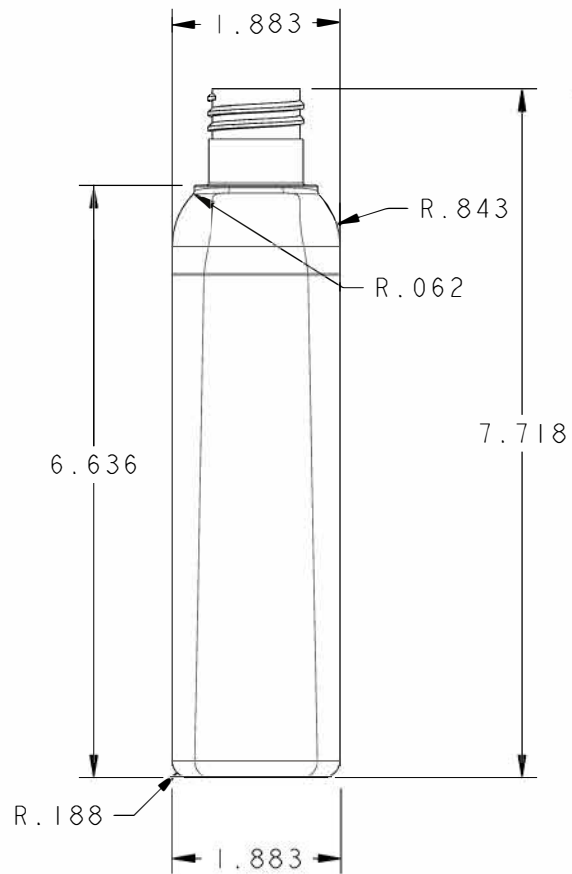
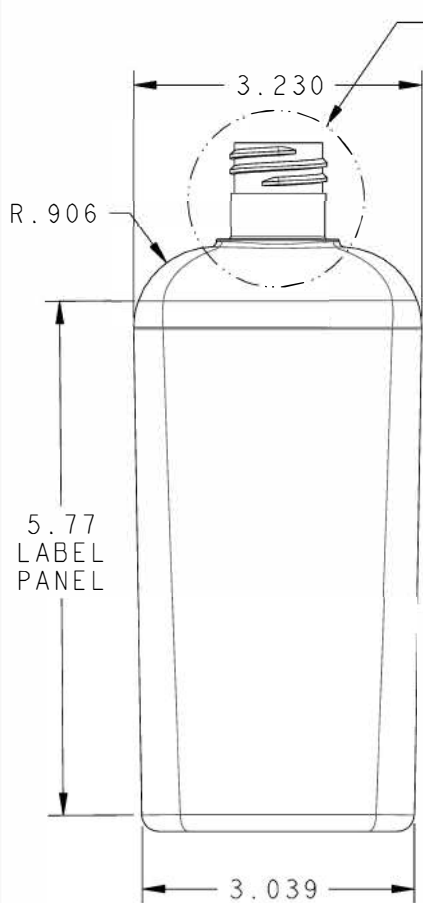
WE HAVE A **PRODUCT** FOR YOU

Part #: 30W6AB



The
CARYCOMPANY
Est. 1895

1195 W. Fullerton Ave. | Addison, IL 60101 | T: 630.629.6600 | F: 630.629.3690 |



Neck Finish: M28SP415		DISCLAIMER: The Cary Company assumes no responsibility for form, fit and function of closures, accessories, and/or shelf life and compatibility of intended contents with this				
All measurements are in inches	Min Thk	Color	Weight	Std. Pack	Revisions	
	.006	All Colors	37.5 Gms±1	168, Stack	A Tool mod, 2 Ft of thd, sct, 11/30/07	
Neck Dimensions:				Tolerance: Where not shown		
T = 1.078±.010				Decimal ±0.050		
E = .984±.010				Angular ±1°		
H = 1.082±.015				Material: PET		
I = .864±.015 ∇.125				Approved By: CGR		
S = .046±.015				Drawing NO: P0450XVVL028C		
Overflow Capacity: 475 ml ± 11				The CARY COMPANY Est. 1895 Scale: Drawn By: SCT Date: 04-27-06 450ml OVAL, VALE, PET, 28-415 CT DwgRev: A		