

IF YOU...



MIX IT. FILL IT. PACK IT. SHIP IT.

WE HAVE A PRODUCT FOR YOU

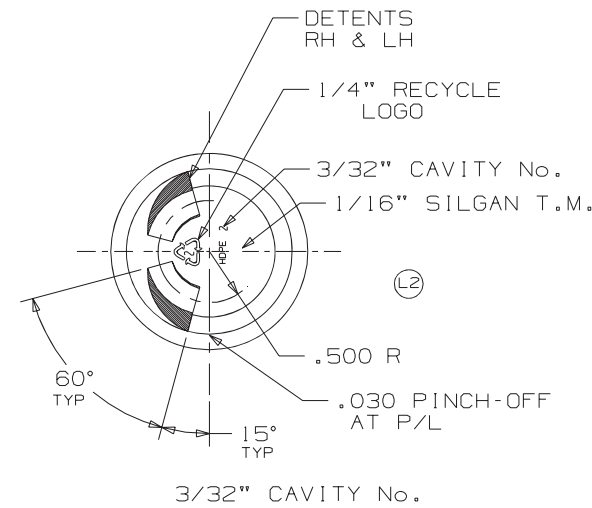
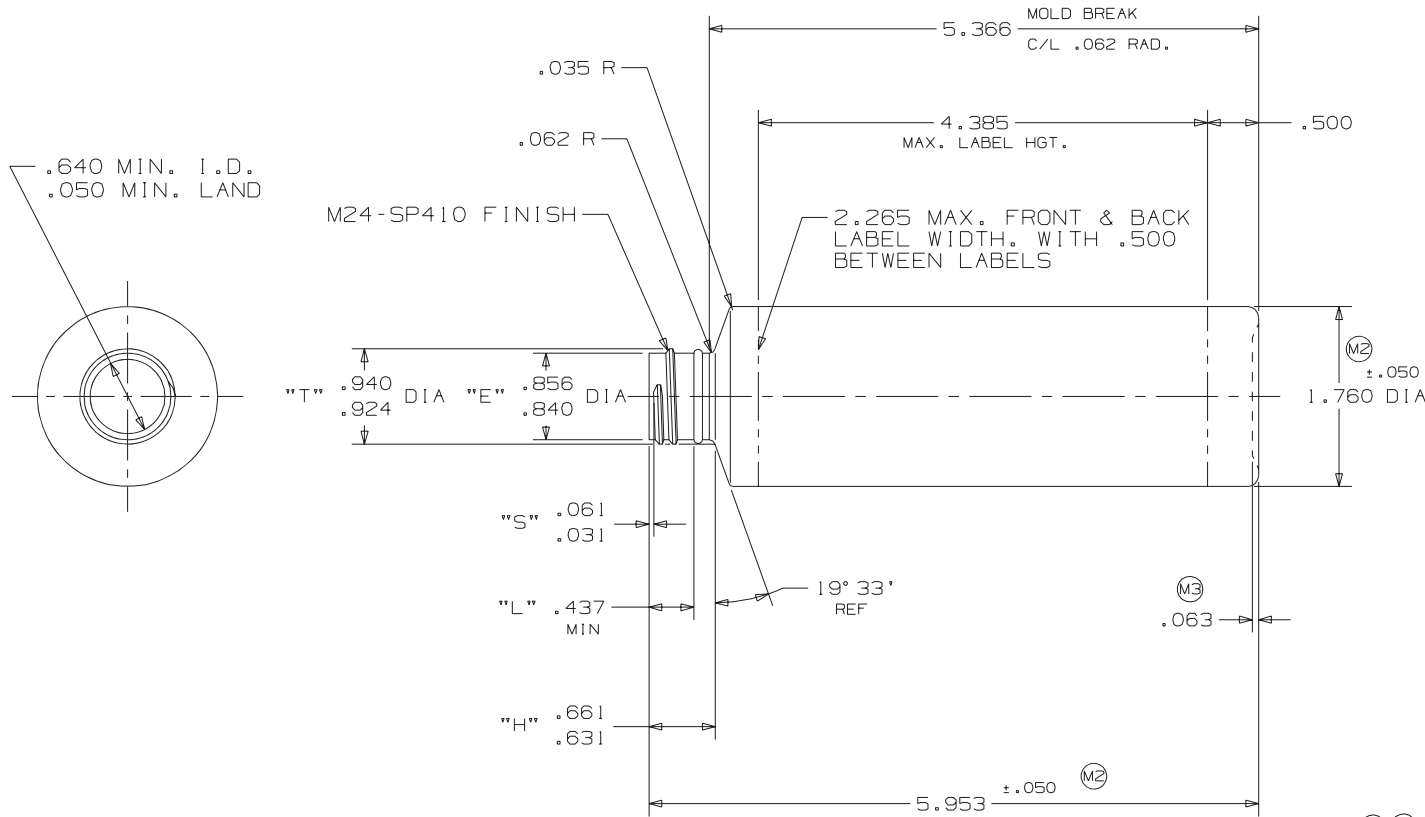


Part #	30W6WC
Capacity	6 oz.
Color	White
Material	HDPE
Dimensions	1.76" Dia. x 5.953"H
Neck Finish	24-410
Neck Width	24mm
BPA Free	Yes
FDA Approved	Yes
Case Pack	300 ea.
Pallet Pack	5,400 ea. (18 Cases)





Supplied By: **The Cary Company**
 Ph: 630-629-6600
 www.thecarycompany.com



(M3)(M1) NOTES :

- 1) OVERFLOW CAPACITY : 6.67 ± .20 FL.OZ. (197.2 ± 6.0 CC'S.)
- 2) WEIGHT : 14.0 ± 1.0 GRAMS

P	ADDED LABEL DWG #	27OCT08	KENT
N	ADDED CODES & CHART	20MAY05	KENT
M4	UPDATED TO SILGAN STANDARDS	12/17/03	JEH
M3	ELIM A/O & F/G OFC, AND PU TOL		
M2	OAT TOL WAS ±.031, OAH TOL WAS ±.047		
M1	OFC TOL WAS ±.17/5.0, WGT TOL WAS ±.8		
L2	BASE AESTHETICS & LOCATIONS REVISED	7-7-98	CAS
L1	TD31-14552 WAS TD31-12552		
K	UPDATED TO SILGAN STDS.	1/28/94	JEH
LTR	DESCRIPTION	DATE	APPROVED

REVISIONS

(N)

5	HDM-66575
4	HDM-66573
3	PCM-66564
2	HDM-66552
1	HDM-66234

DIMENSIONS SHOWN ARE:
 AS MOLDED AFTER TREAT
 AFTER TREAT & DECO

DRAWN BY RDW	MATERIAL HDPE	CUSTOMER
DATE 4-25-89	QUOTE NO.	DESCRIPTION 6 FL. OZ. REG. CYL.
CHECKED BY DICK	LABEL DWG. NO. P-04969-01	
DATE 4-25-89	REF. DWG. NO. MC-9-4587-L	DRAWING NO. MC-9-4857-P
CAD UG (L1)	TOOLING NO. TD31-14552	
SCALE FULL	SEE CHART SURF. AREA	