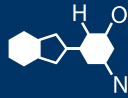


IF YOU...



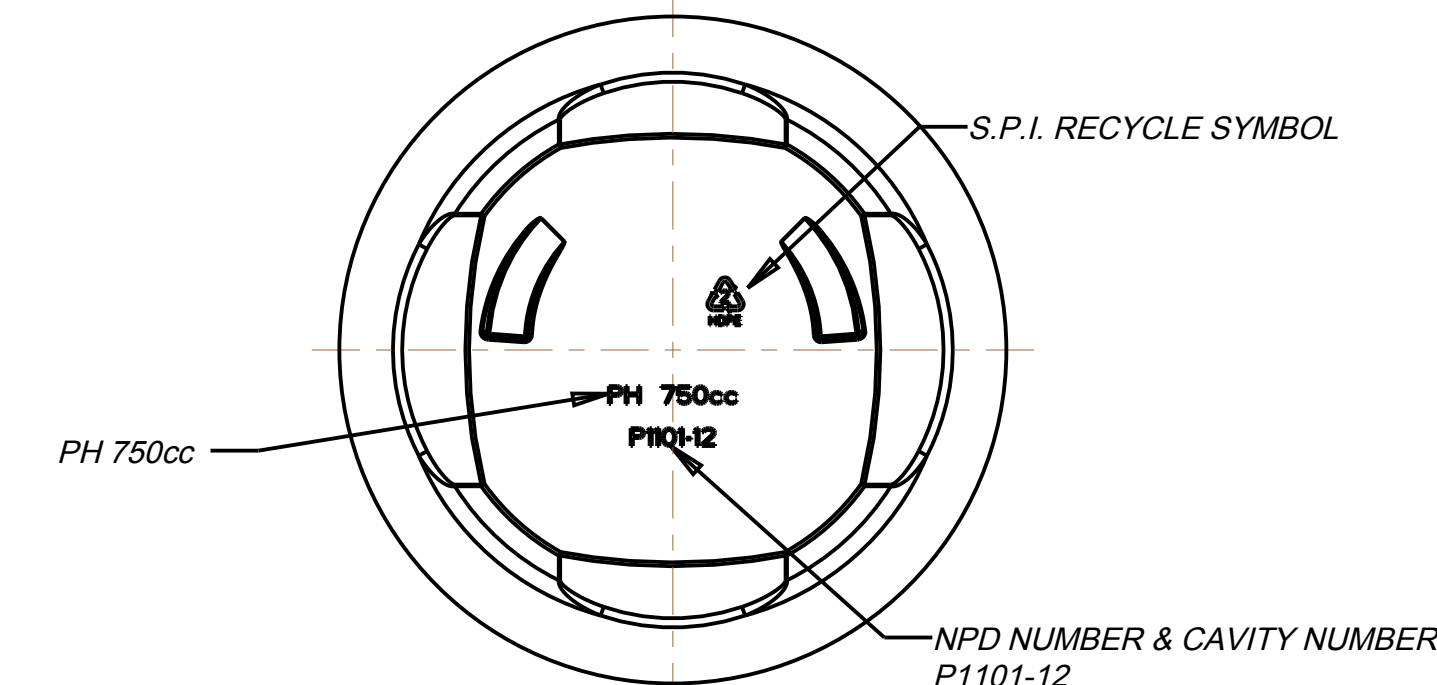
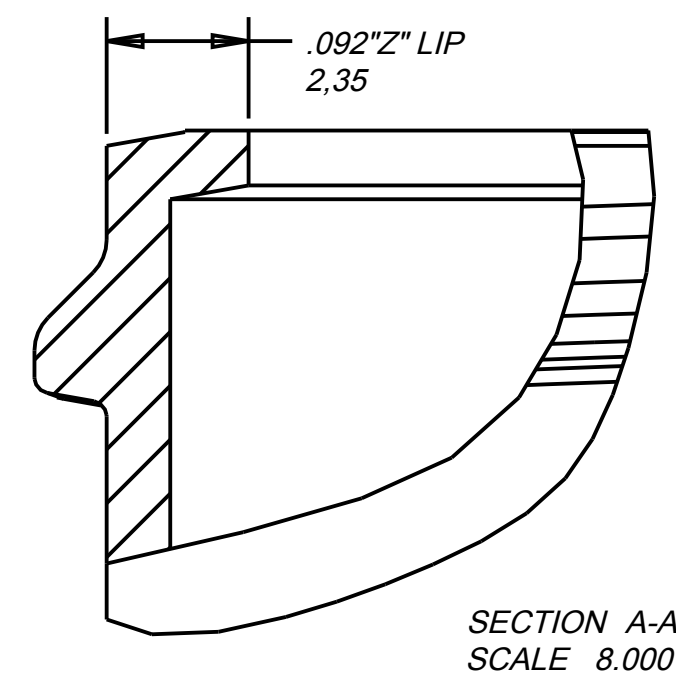
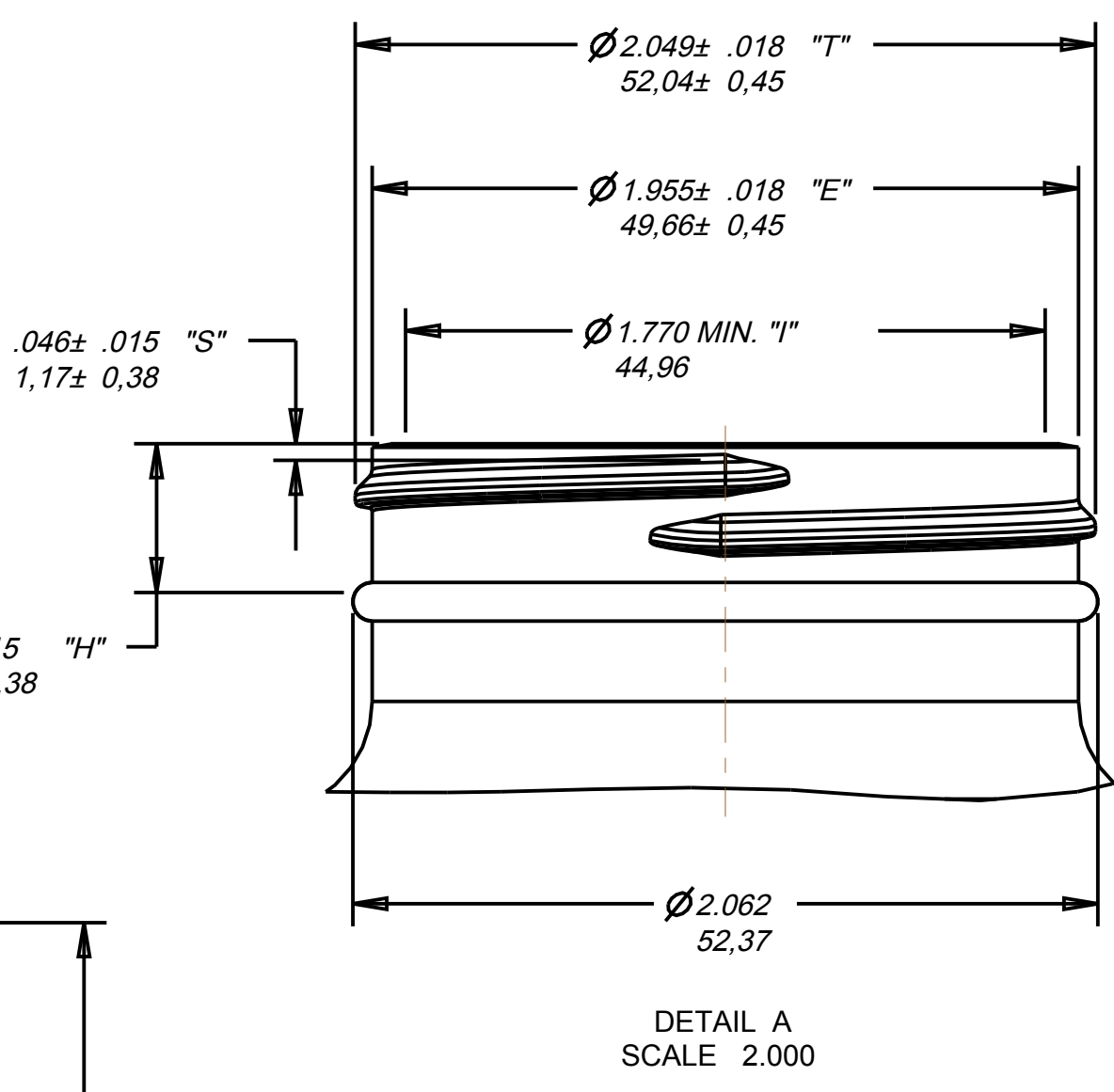
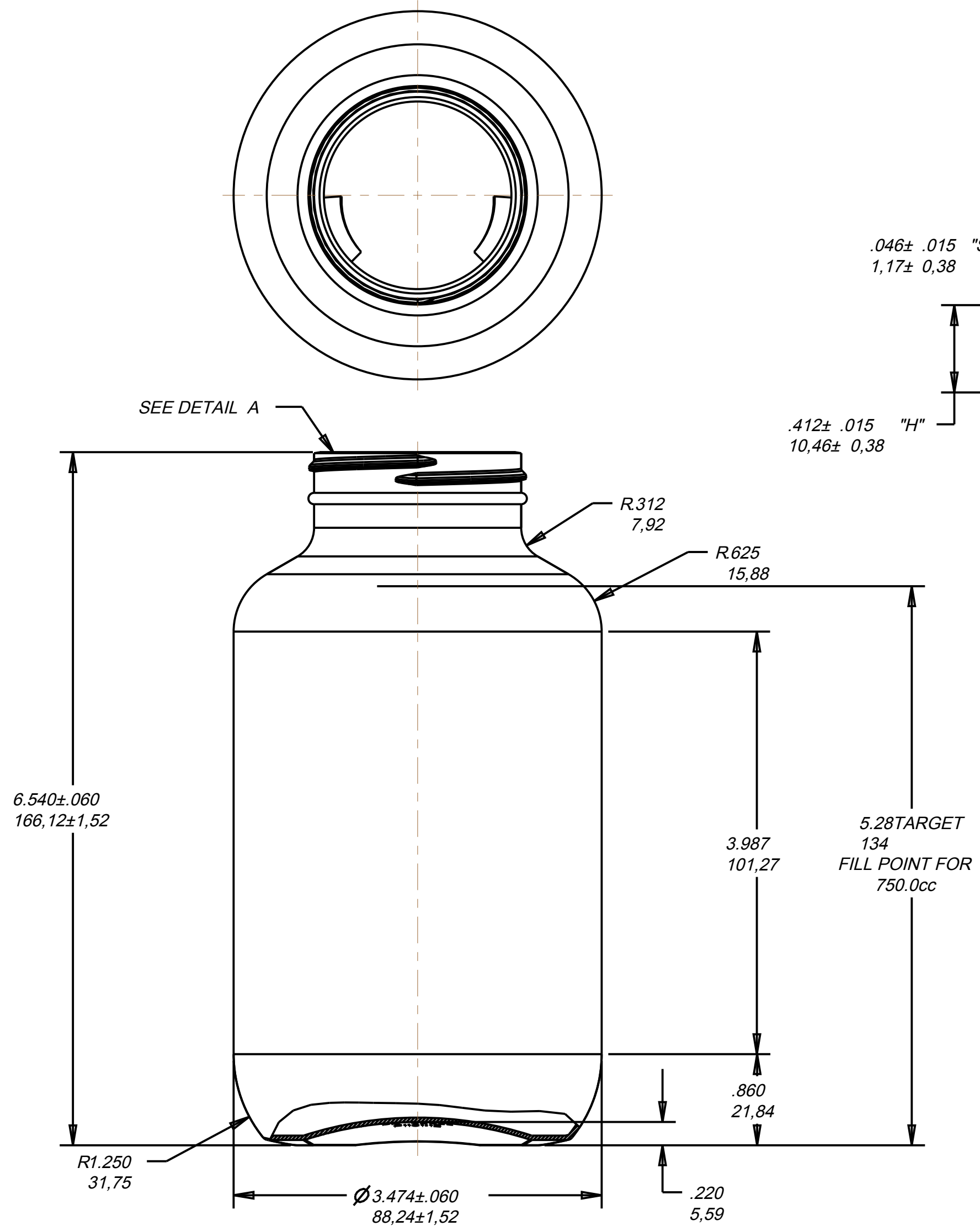
MIX IT. FILL IT. PACK IT. SHIP IT.

WE HAVE A **PRODUCT** FOR YOU

Part # 30W750

25 oz. (750cc) White HDPE Plastic Packer
Bottle, 53mm 53-400





NOTE:
MINIMUM WALL THICKNESS MEASURED AT LABEL AREA

The
CARY COMPANY
Est. 1895

NPD # 1101		Color		Min. Thk	Weight	Overflow Volume	Revisions		Scale: 1.000		Drawn By: J. ZITZMAN	Date: Jan-16-13
All measurements are in inches, [mm]				.020	49.0 ± 5.0g	820.0 ± 15.0cc	A	ADDED PH 750cc				
							B	ADDED "Z" LIP				
							C	WAS 750cc PACKER ROUND & ADDED ROCKER CORECTION				
							D	PUSH-UP HEIGHT WAS .125				
							E	ADDED .020 MIN. WALL & NOTE, REMOVED PRELIMINARY STAMP				
Tolerance: Where not shown	NECK FINISH	M53-400						750cc PHARMA LINE-HDPE M53-400, CT, [25.4oz] 750PH53		DwgRev E		
Decimal ± 0.05 [1.27] Angular ± 1°	MATERIAL:	HDPE						Approved By: SJ		Drawing NO: H0750PKRD053A		