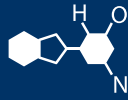


IF YOU...



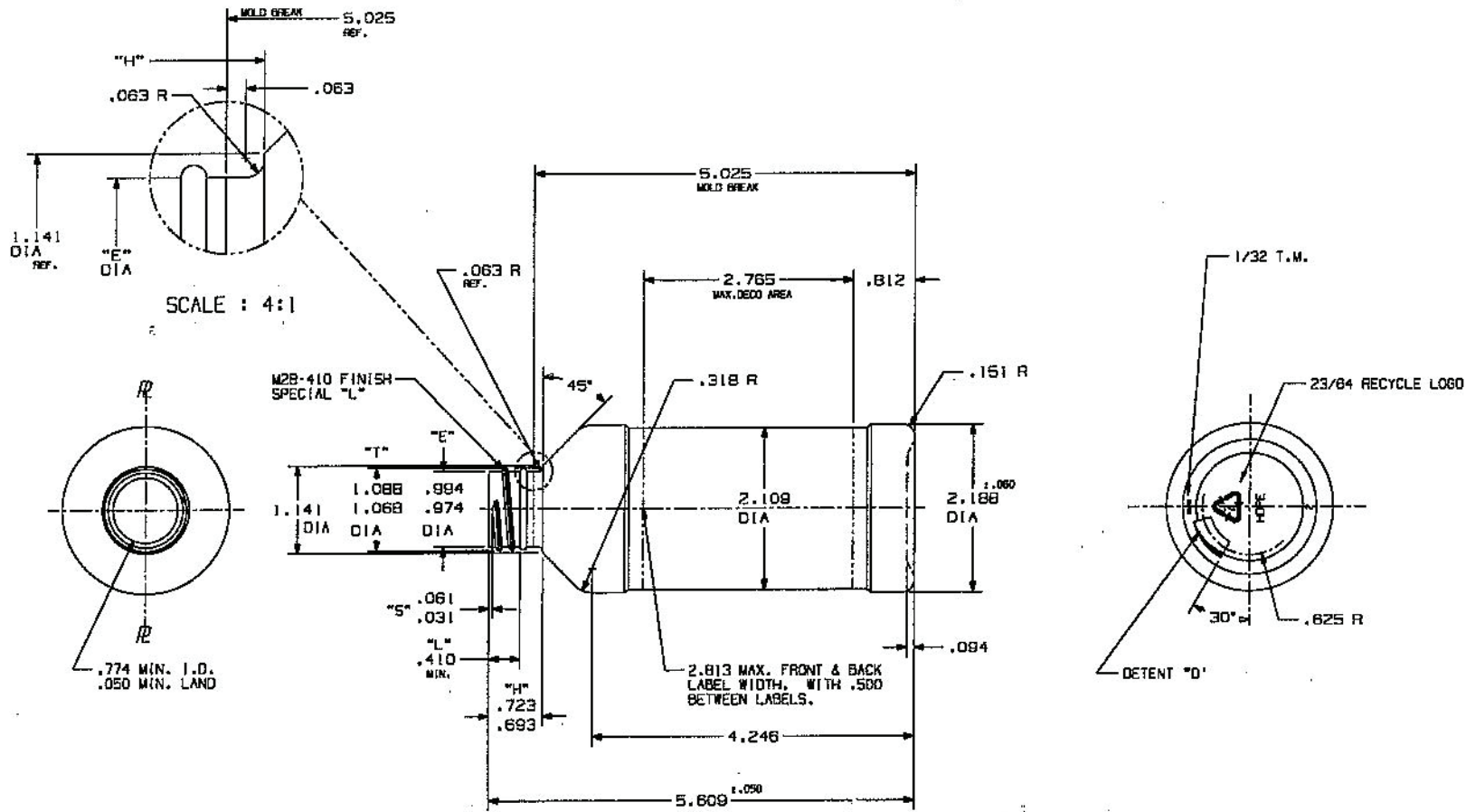
MIX IT. FILL IT. PACK IT. SHIP IT.

WE HAVE A **PRODUCT** FOR YOU

Part # 30W825

8 oz. Natural HDPE Plastic Modern Round
Bottle, 28mm 28-410





NOTES :

1) OVERFLOW CAPACITY : 8.94 ± .24 FL.OZ.
(264.5 ± 7.0 CC'S.)

2) WEIGHT : 17.0 ± 1.0 GRAMS

REV	DESCRIPTION	DATE	APPROVED
1	UPDATED TO SILGAN STOS	10/31/13	13220
2		10/31/13	13220
3		10/31/13	13220

3	HOM68-998
2	HOM68-570
1	HOM68-162

FORM BY	DATE	MATERIAL	DESCRIPTION
FLM	5/21/78	HOPE	8 FL. OZ. MODERN ROUND
QUOTE NO.			
LABEL DES. NO.			
REF. DES. NO.			
TOOLING NO.			
SEE CHART			
EDGE FIN.			
GRAVING NO.			MC-3-4128-M

Supplied By: **The Cary Company**
 Ph: 630-629-6600
 www.thecarycompany.com

The
CARY COMPANY
 Est. 1895