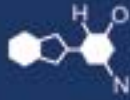


# IF YOU...



MIX IT. FILL IT. PACK IT. SHIP IT.

# WE HAVE A **PRODUCT** FOR YOU

Part #: 30W8AB

---

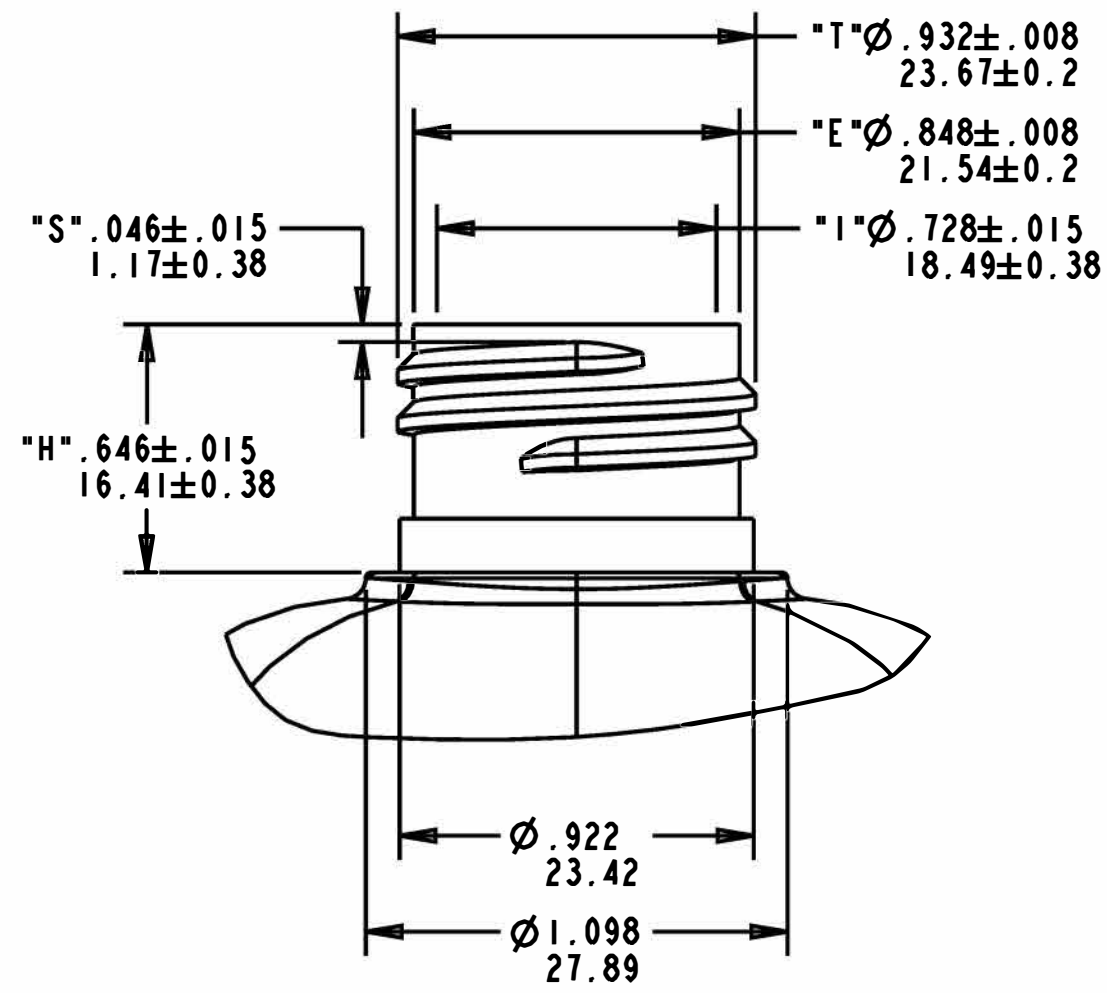
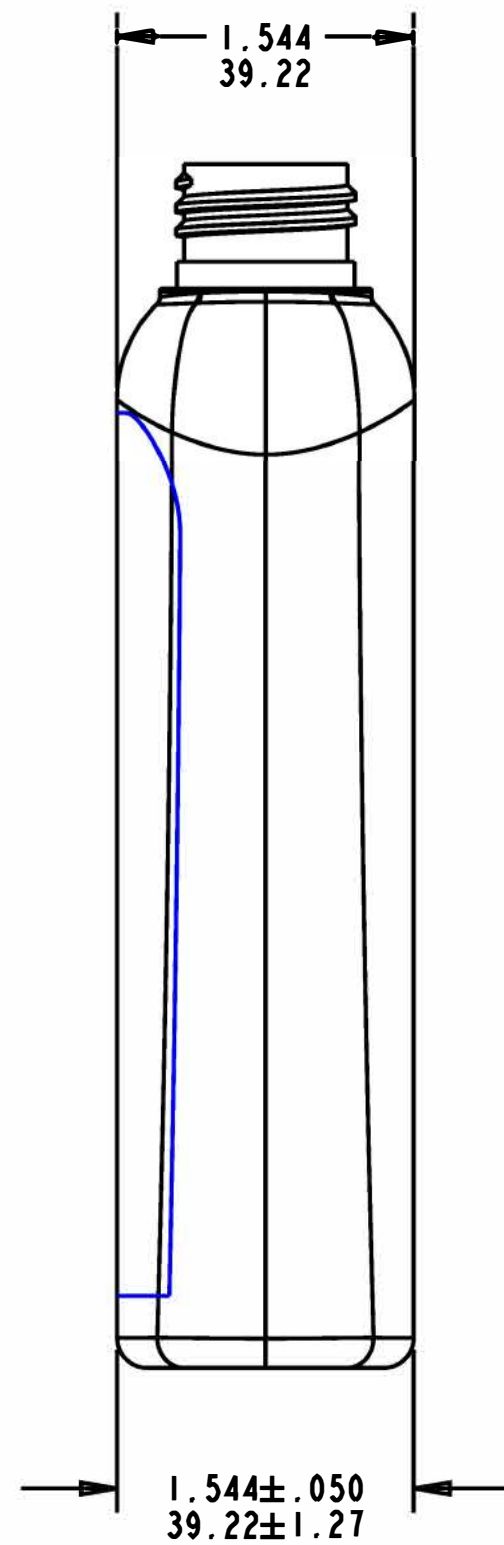
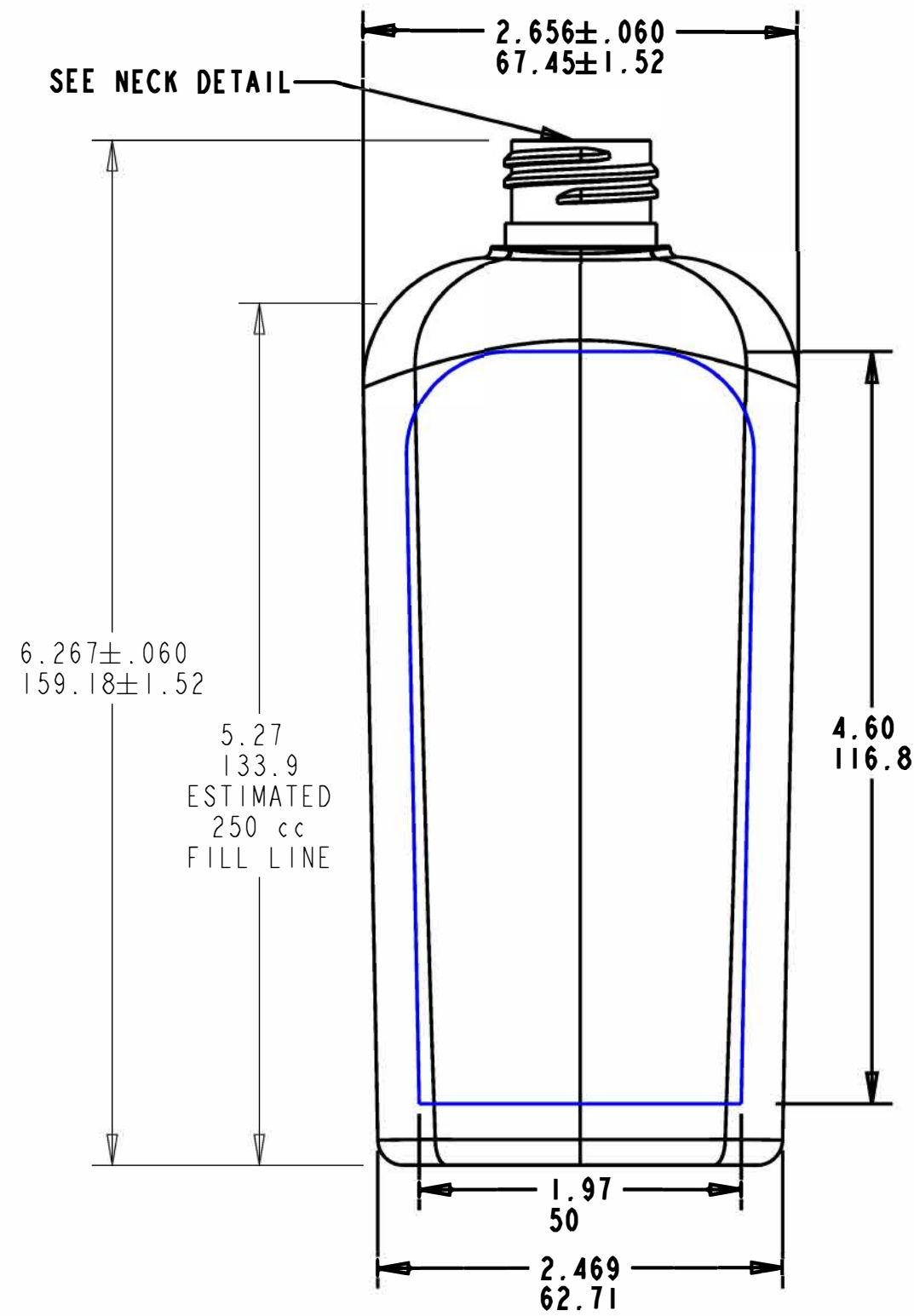
---



---

The  
**CARY**COMPANY  
Est. 1895

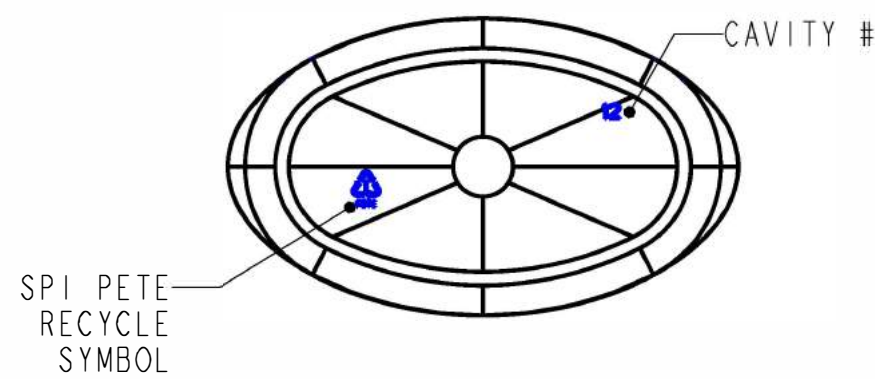
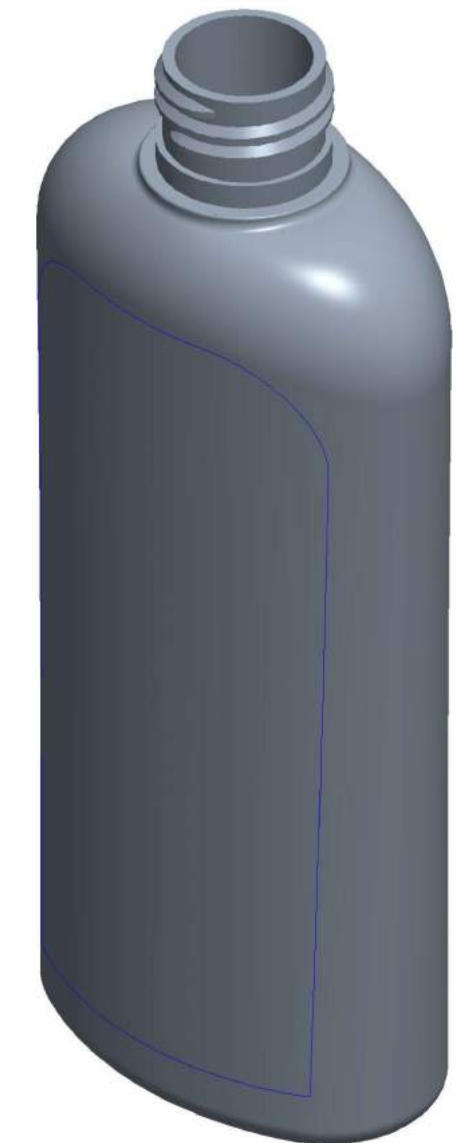
1195 W. Fullerton Ave. | Addison, IL 60101 | T: 630.629.6600 | F: 630.629.3690 |



**NECK DETAIL:**  
SCALE 2:1

**FINISH SPECIFICATIONS:**

1. FINISH: M24SP410
2. NO. OF TURNS: 2 FULL TURNS
3. THREADS PER INCH: 8
4. THREAD START: 90° FROM P.L. (AS SHOWN)



**NOTES:**

1. CRITICAL DIMENSIONS ARE SHOWN WITH TOLERANCES. CRITICAL DIMENSION TO BE USED FOR QC PURPOSES.
2. ALL OTHER DIMENSIONS TO BE USED FOR REFERENCE ONLY.

				<b>The CARY COMPANY</b> Est. 1895		30W8AB			
				TITLE: 250 cc Vale Oval					
		TOLERANCES: UNLESS OTHERWISE SPECIFIED		DRAWN BY: RAB		NECK: M24SP410		WEIGHT (g): 25.5 ± 2.0	
		DECIMALS .XX±		DATE: Mar=18=20		MIN WALL (in): .006		OVERFLOW (cc): 263 ± 7	
		.XXX±		SCALE: 1:1		CUSTOMER: STOCK		3D FILE No: 10A1123	
		.XXXX±		SHEET: 1 of 1		MATERIAL: PET		DRAWING No: 10A1123	
A		INITIAL RELEASE SUPERSEDES DWG #P0250XVVL024B REV B		RAB Mar=18=20				REV: A	
REV	ECR	DESCRIPTION	BY	DATE	FRACCTIONS ±	SEENOTE 1	ANGLES ±		