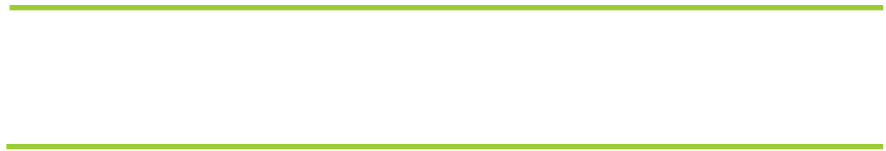


# IF YOU...



MIX IT. FILL IT. PACK IT. SHIP IT.

# WE HAVE A PRODUCT FOR YOU



Part #	30W8LC
Capacity	8 oz.
Color	Natural
Material	LDPE
Dimensions	2"Dia. x 5.85"H
Neck Finish	38-400
Neck Width	38mm
BPA Free	Yes
FDA Approved	Yes
Case Pack	368 ea.
Pallet Pack	6,624 ea. (18 Cases)





Supplied By: **The Cary Company**

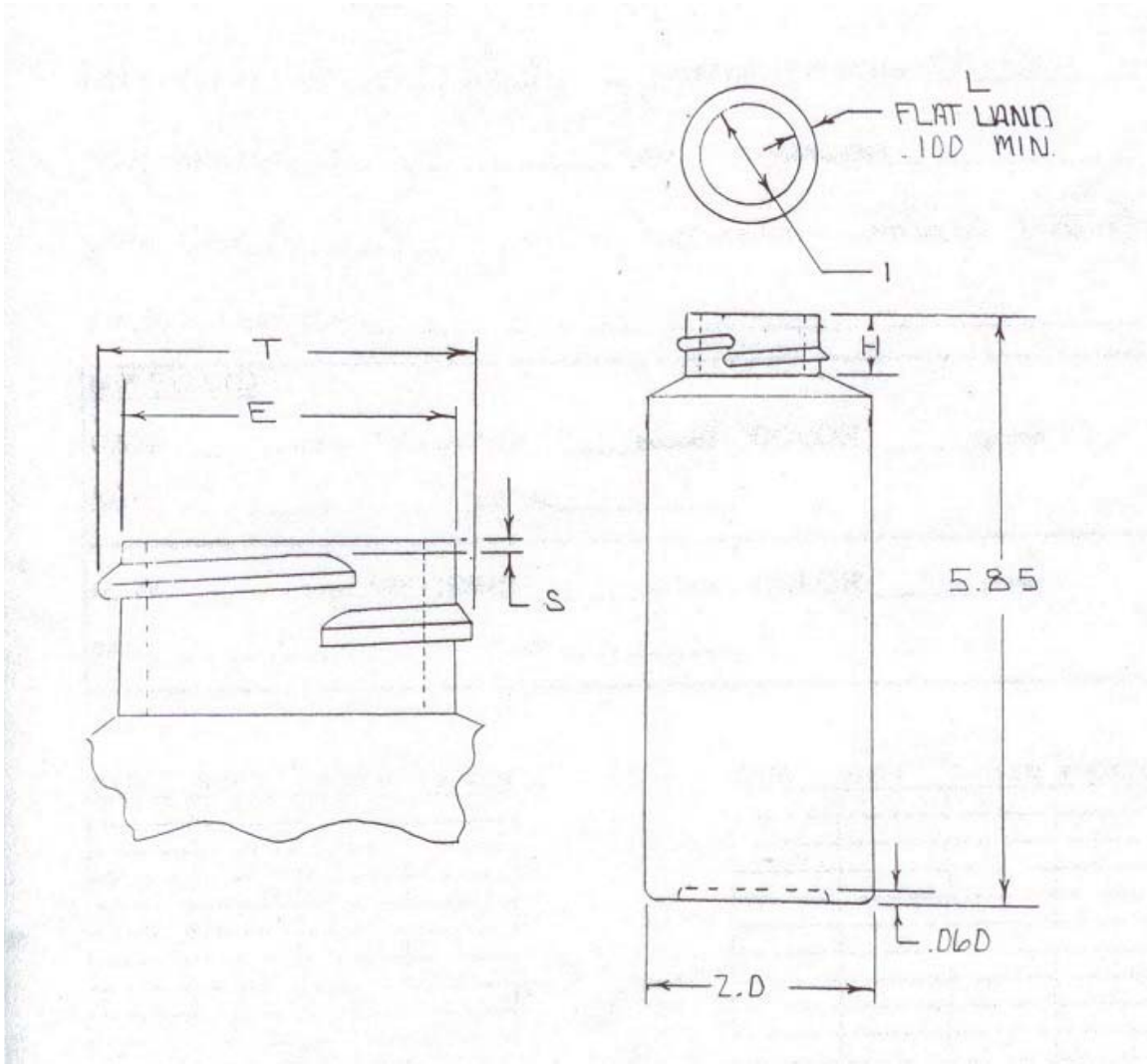
Ph: 630-629-6600

www.thecarycompany.com

Bottle: 08C38LL

Weight: 26+/-1gm

Walls: .020-.050



Neck	T		E		I		H		S		Drawing #
	MAX	MIN	MAX	MIN	MAX	MIN	MAX	MIN	MAX	MIN	
38/405	1.476	1.452	1.382	1.358	1.170	1.070	.460	.400	.120	.090	121803 Rev. A