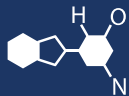


IF YOU...



MIX IT. FILL IT. PACK IT. SHIP IT.

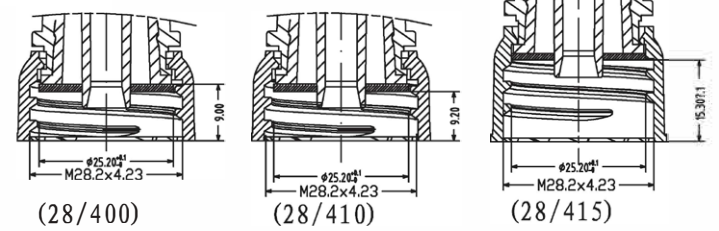
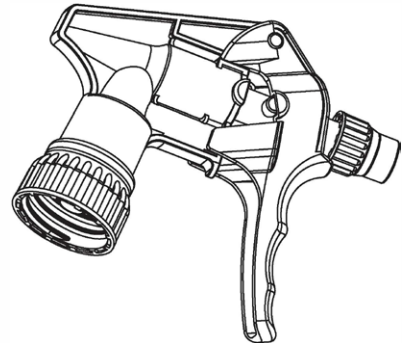
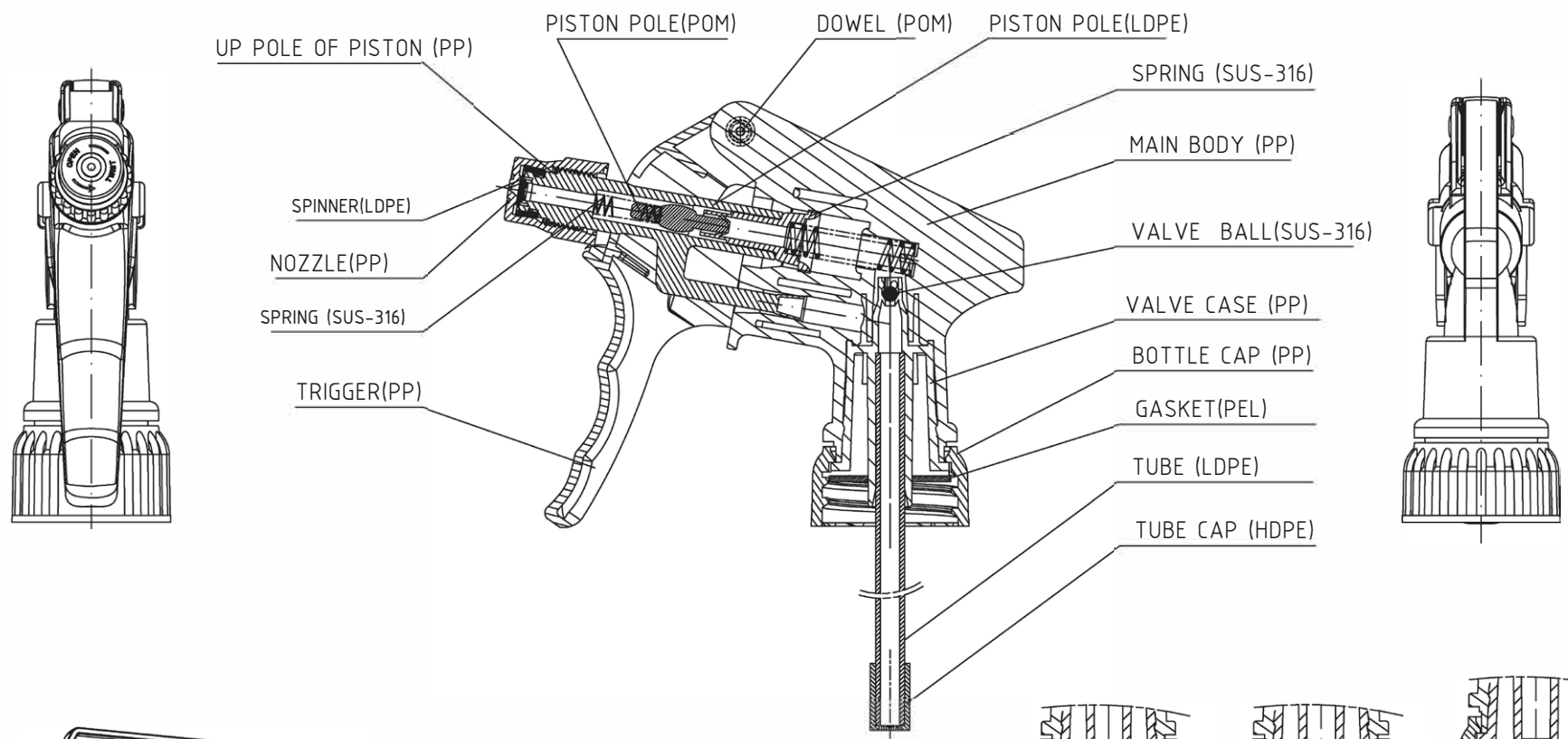
WE HAVE A PRODUCT FOR YOU

Part #: 30W8TE



The
CARYCOMPANY
Est. 1895

1195 W. Fullerton Ave. | Addison, IL 60101 | T: 630.629.6600 | F: 630.629.3690 |



产品名称 TRIGGER SPRAYER "TS-924"			审查/ APPROVE	校对/ CHECK	设计制图/ DRAW
PRODUCTOR NAME					
图号:	模号:	材料:	比例:	第三视角:	
	PART NO	MATERIAL	SCALE	PROJECTION TYPE	
专案号:	页次:	日期:	图纸:	单位:	 THE THIRD ANGLE
	SHEET	DATE	SIZE	mm	
尺寸公差			The		
TOLERANCES			CARY COMPANY		
0	0.0	0.00	Est. 1895		
±0.25	±0.1	±0.05			