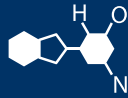


IF YOU...



MIX IT. FILL IT. PACK IT. SHIP IT.

WE HAVE A **PRODUCT** FOR YOU

Part # 30W950

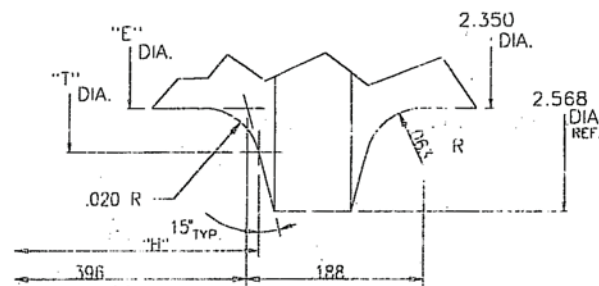
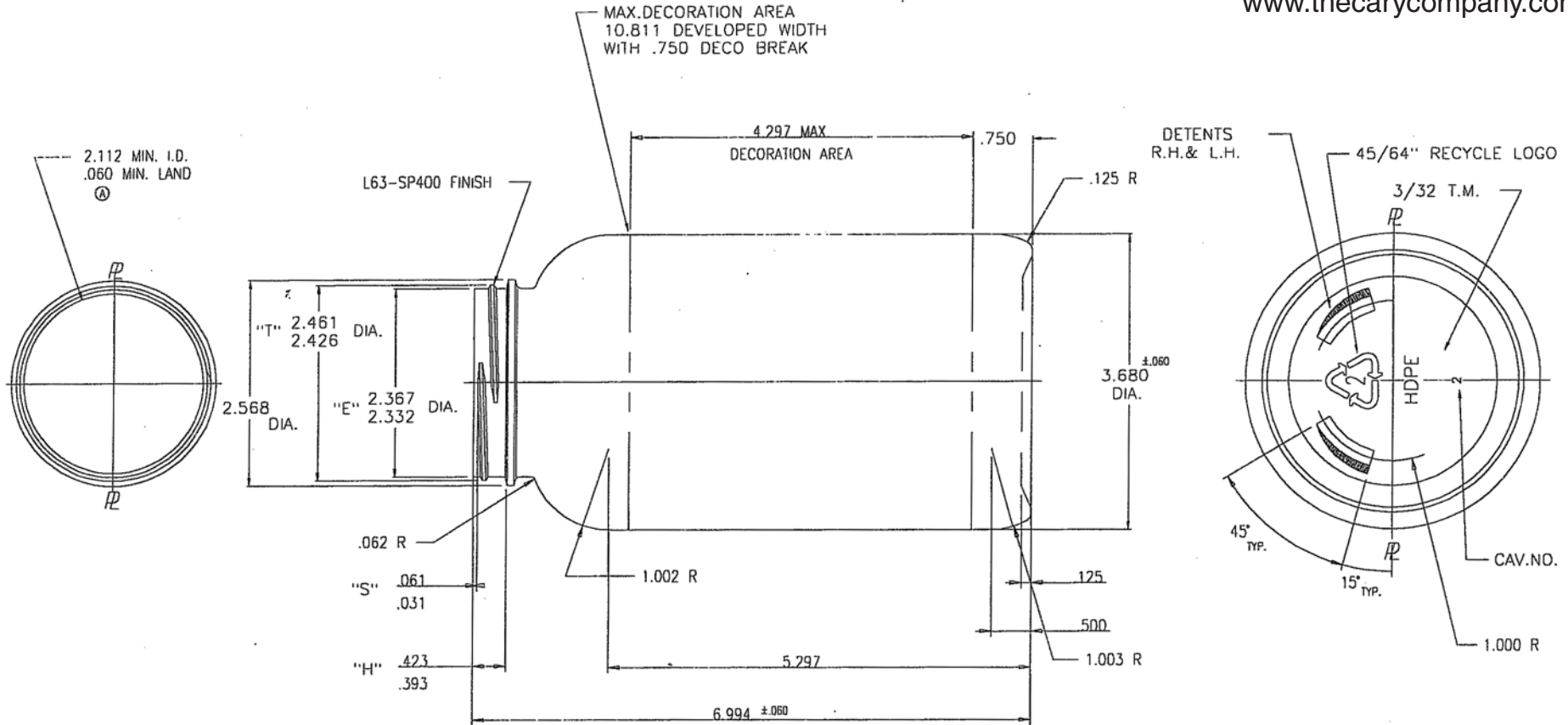
32 oz. (960cc) Natural HDPE Plastic Packer
Bottle, 63mm 63-400



Supplied By: **The Cary Company**

Ph: 630-629-6600

www.thecarycompany.com



BEAD DETAIL
SCALE 10 : 1

NOTES:

- OVERFLOW CAPACITY : 35.54 ± .51 FL. OZ.
(1051.0 ± 15.0 CC'S)
- WEIGHT: 50.0 ± 2.5 GRAMS
- TREAT SEALING LAND ON FINISH

DIMENSIONS SHOWN ARE:

- AS MOLDED AFTER TREAT
- AFTER TREAT & DECO. L/W AFTER TREAT & FLAME GLOSS.

DRAWN BY CAS	MATERIAL HDPE	CUSTOMER
DATE 6/30/99	QUOTE NO.	DESCRIPTION 33 FL. OZ. W/M ROUND
APPROVED BY	PRD./CAV. NO.	
INFO.	REF. DWG. NO. MC9-6252-C	
PROD. NO.	TOOLING NO. TU31-147E3	
CRM	FORM NO.	
DATE/TIME	PLANT	
SCALE	SUB. AREA	DRAWING NO. MC-9-12645-A
FULL		