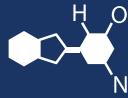


IF YOU...



MIX IT. FILL IT. PACK IT. SHIP IT.

WE HAVE A **PRODUCT** FOR YOU

Part # 30W9AP

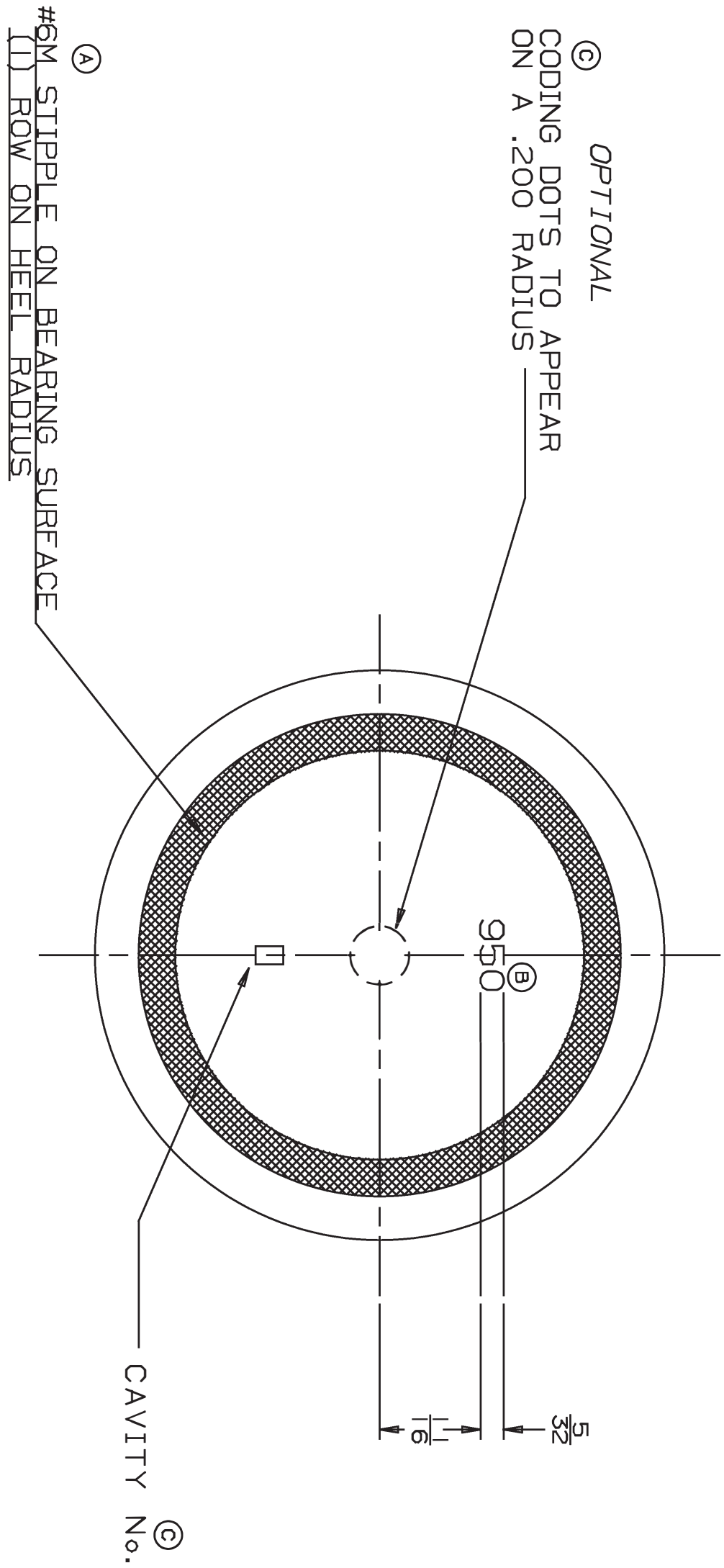
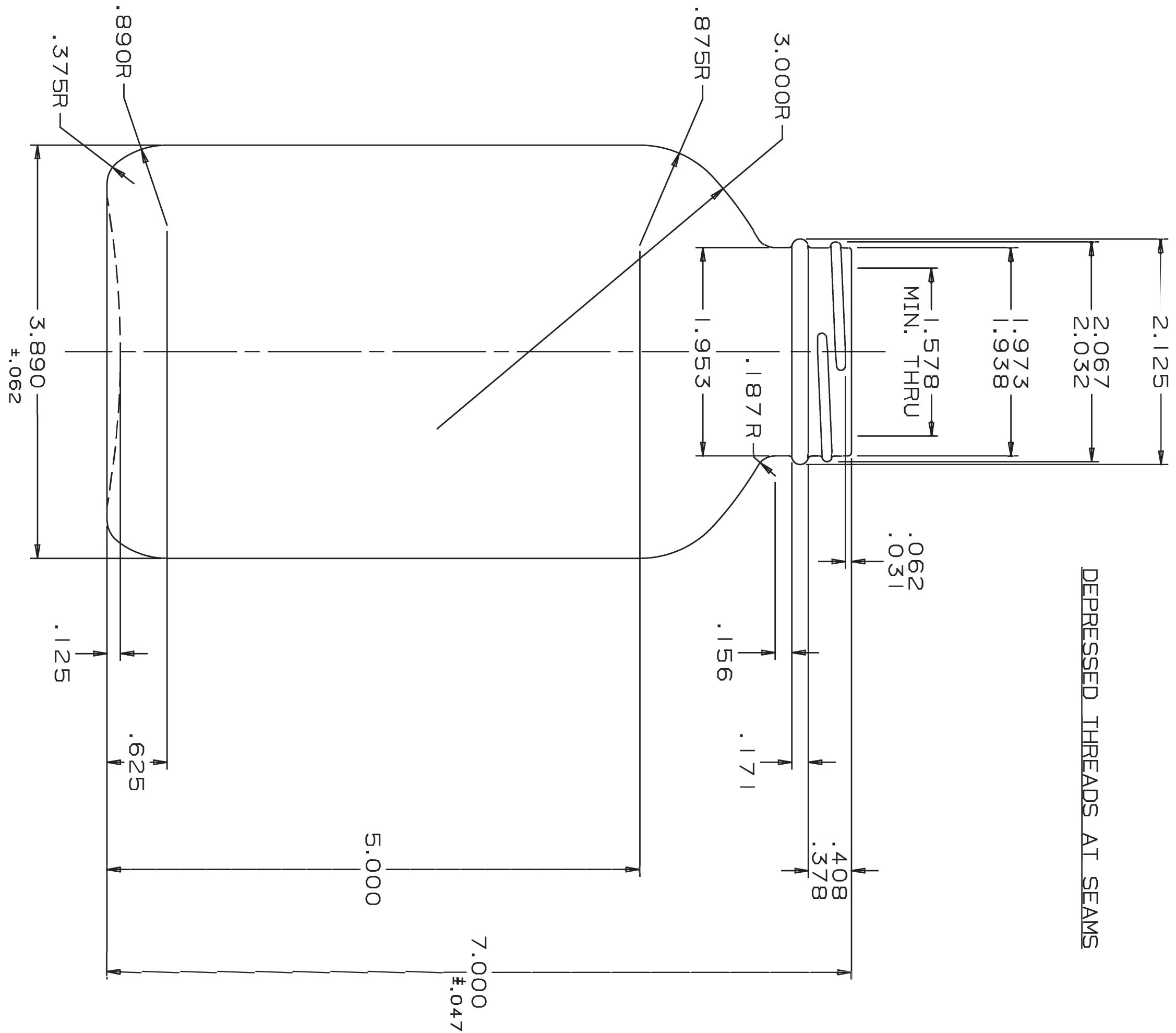
Glass Packer Bottles

32 oz. (950 cc) Amber Glass Packer Bottle,
53mm 53-400



The
CARYCOMPANY
Est. 1895

1195 W. Fullerton Ave. | Addison, IL 60101 | T: 630.629.6600 | F: 630.629.3690 | TheCaryCompany.com



©	BOTTOM LETTERING 11/12/97
ⓑ	ADDED "950" TO BOTTOM 8-7-91
Ⓐ	REV'D. STIPPLE 2-22-90
	REV'D. TO MATCH CUST. PRINT 2-1-90
	REVISIONS

CUSTOMER	MOLD REGISTER NO. L-693R	DATE DRAWN -10-90
TITLE	W/M PACKER	DRAWN BY BABBITT
PRACTICAL FILL	950cc	APPROX. WGT 3.686oz.
CAPACITY	1002.7cc ±11.1cc OF.	CHECKED BY
FINISH	G.P.I.400-53-405	

DRAWING NO: C-33781C