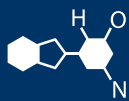


IF YOU...



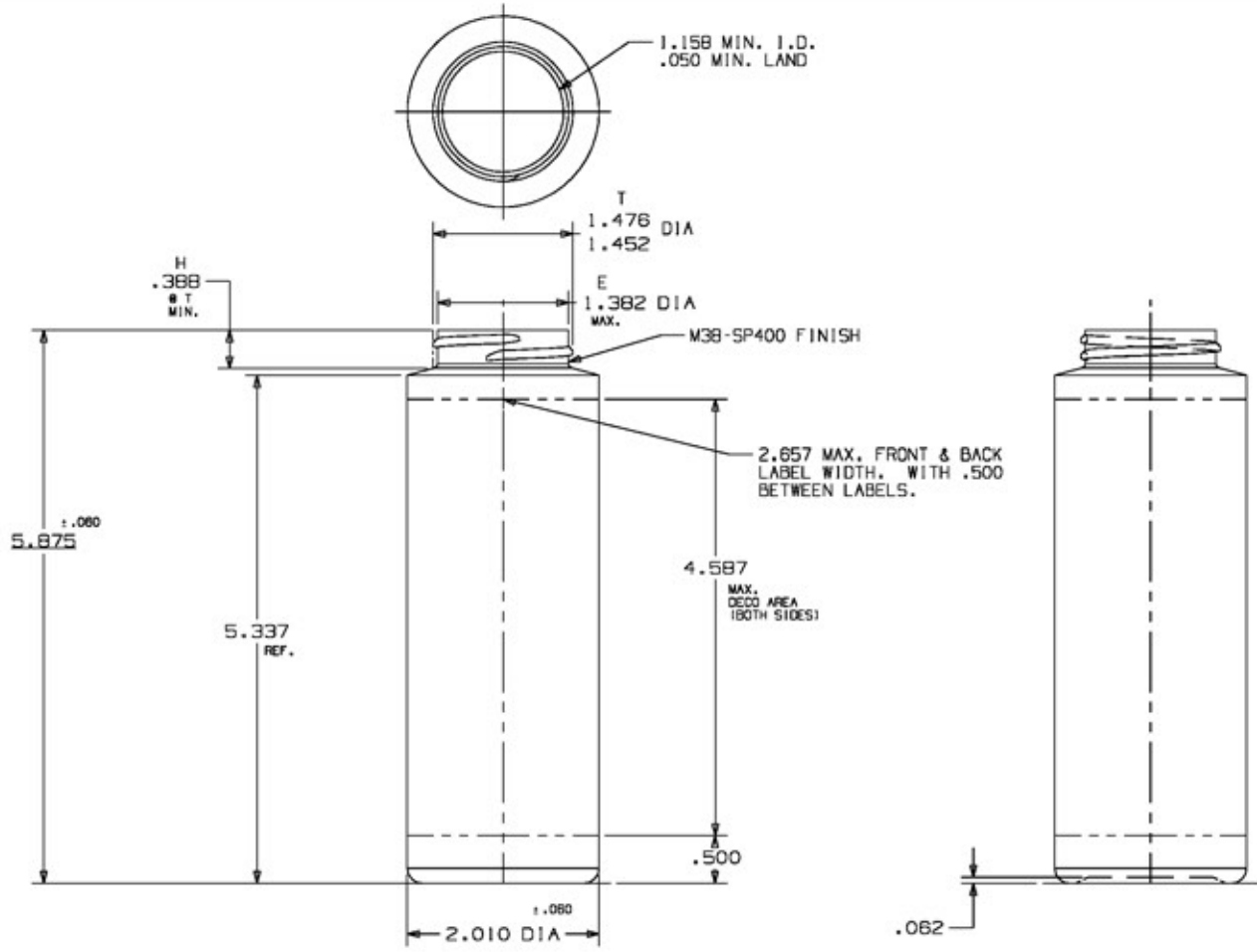
MIX IT. FILL IT. PACK IT. SHIP IT.

WE HAVE A **PRODUCT** FOR YOU

Part # 30W9NC

8 oz. Natural HDPE Plastic Cylinder Bottle,
38mm 38-400





NOTES :

- 1) OVERFLOW CAPACITY : 9.14 ± .24 FL.OZ.
(270.4 ± 7.0 CC'S.)
- 2) WEIGHT : 17.0 ± 1.0 GRAMS
- 3) T IS AN AVERAGE OF TWO READINGS TAKEN 90° APART.

DIMENSIONS SHOWN ARE: <input type="checkbox"/> AS MOLDED <input checked="" type="checkbox"/> AFTER TREAT		DRAWN BY KENT	MATERIAL HEPE	CUSTOMER
2 ROM-89232 1 HEM-89231 CODE CHART	<input type="checkbox"/> AFTER TREAT <input type="checkbox"/> & DECO	DATE 13DEC07	QUOTE NO. - LABEL DNG NO. - REF. DNG NO. E-03732-01-A TOOLING NO. TD31-15833	DESCRIPTION <p style="text-align: center;">8 FL. OZ. STYLELINE CYLINDER</p>
		INFO A	CODE NO. UG SEE CHART	The CARY COMPANY <small>Est. 1895</small>
		CAD UG	SURF. AREA 41.7 IN2	DRAWING NO. M-03732-01
		SCALE FULL		

LTR	DESCRIPTION	DATE	APPROVED		
REVISIONS					