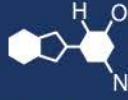


# IF YOU...



MIX IT. FILL IT. PACK IT. SHIP IT.

# WE HAVE A **PRODUCT** FOR YOU

Part #: 30W9TS

---

---

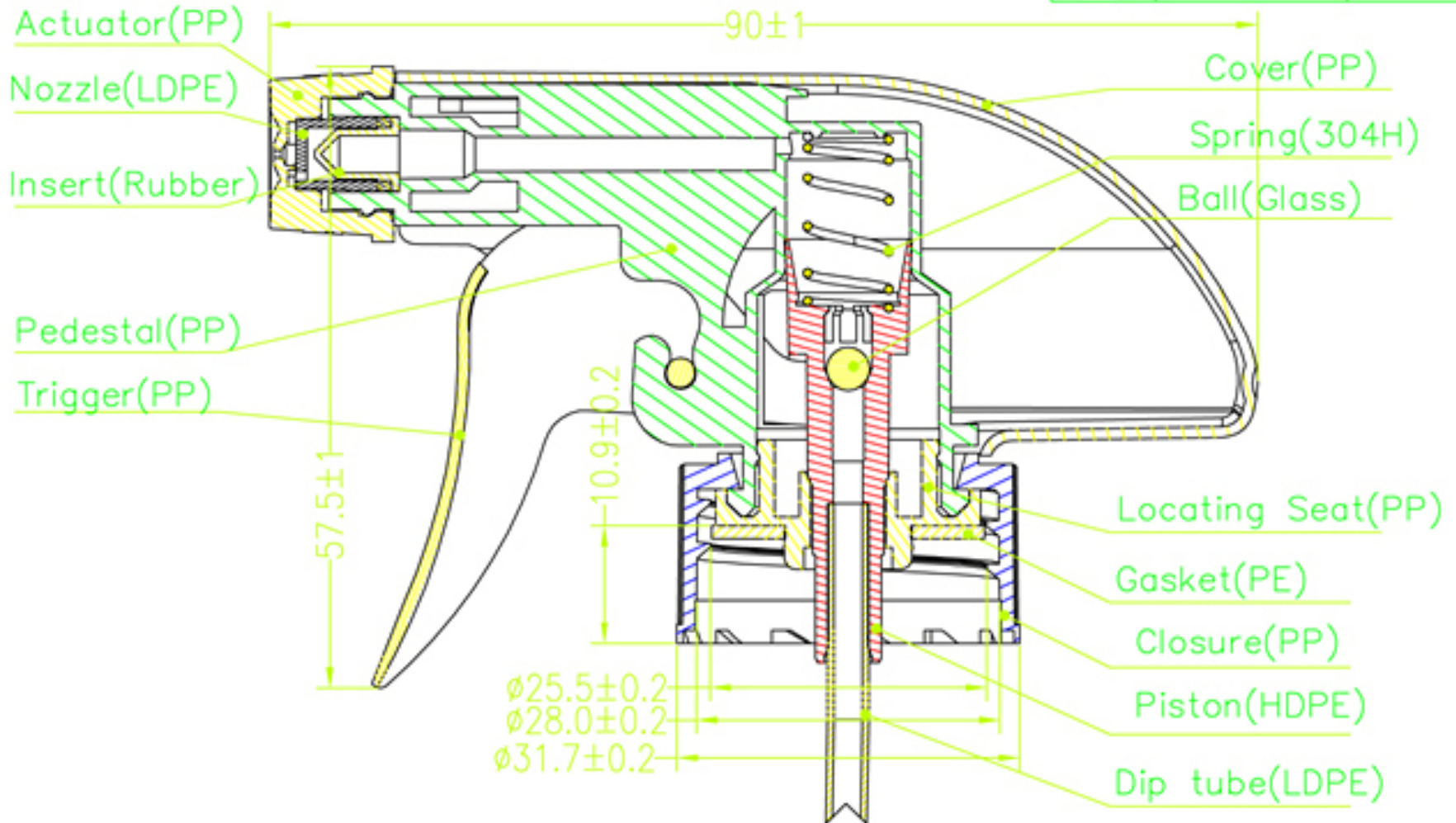


---

The  
**CARY**COMPANY  
Est. 1895

1195 W. Fullerton Ave. | Addison, IL 60101 | T: 630.629.6600 | F: 630.629.3690 |

REV/REV	REV/REV	NOTE	REV/REV	NAME/DATE
△				



01 SL-01C-Trigger Sprayer(28/400) PRODUCER NAME 生产商		审核/ APPROVE 日期/ DATE	检查/ CHECK 日期/ DATE	制图/ DRAW 日期/ DATE
模具号/ MOULD NO /	重量/ WEIGHT /	比例/ SCALE A4	投影方式/ PROJECTION TYPE 第三角	
零件材料/ PART MATERIAL /	日期/ DATE /	尺寸/ SIZE MM	单位/ UNIT MM	THE THIRD ANGLE
公差/ TOLERANCES ±0.1 ±0.05 ±0.02 ±0.01	表面处理/ SURFACE /	页次/ SHEET 1/1	角度/ ANGLES 30°	The <b>CARY COMPANY</b> Est. 1895