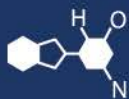


# IF YOU...



MIX IT. FILL IT. PACK IT. SHIP IT.

# WE HAVE A **PRODUCT** FOR YOU

Part #: 30WA08

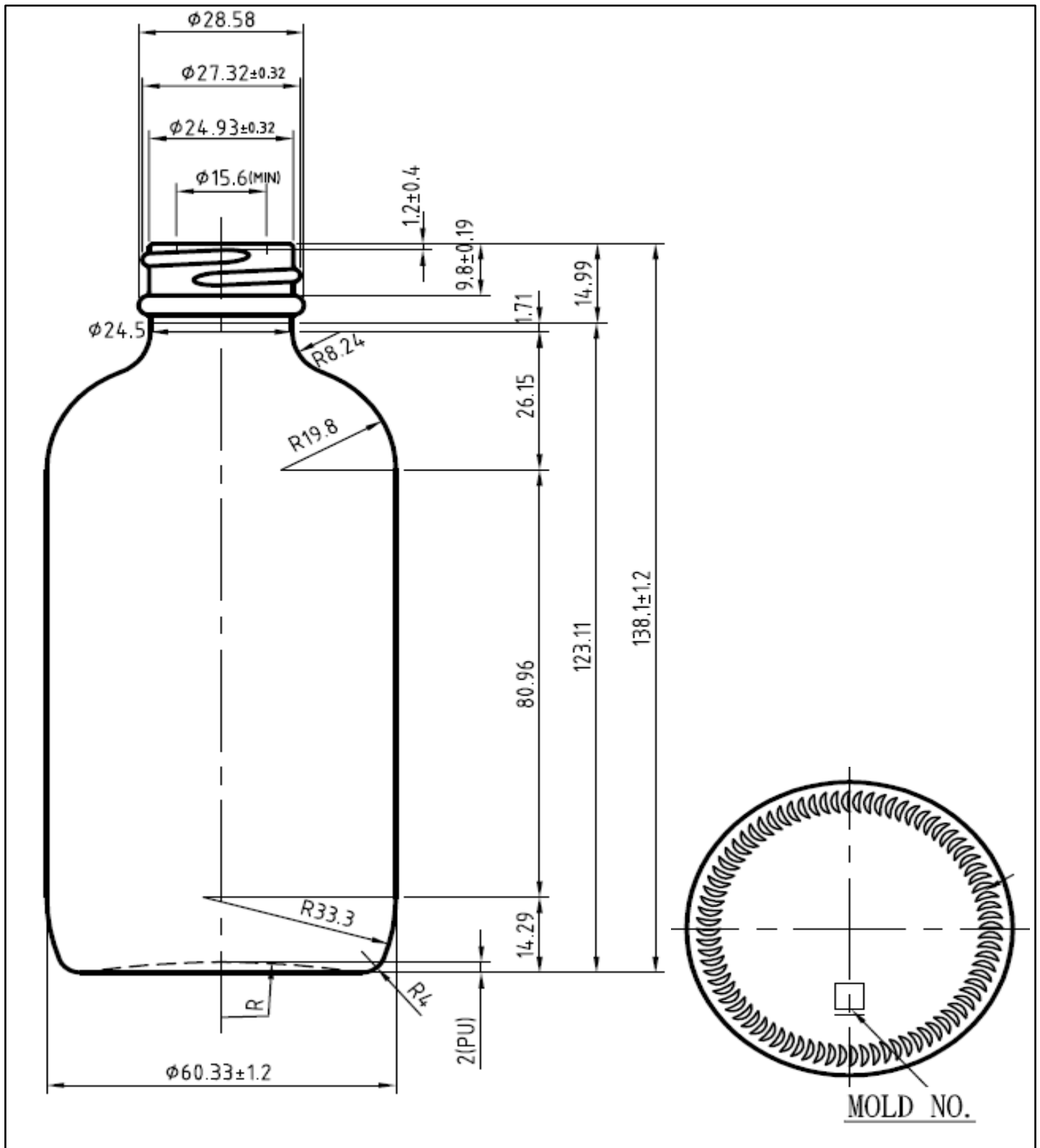
---

---



The  
**CARY**COMPANY  
Est. 1895

1195 W. Fullerton Ave. | Addison, IL 60101 | T: 630.629.6600 | F: 630.629.3690 |



<b>Nominal Capacity</b>	236.28 ± 4cc	<b>Drawn</b>			<b>Drawing Name</b>	8oz Amber	<b>Scale</b>
			<b>Date</b>	2016.01.17			
<b>Brimful Capacity</b>	251 ± 4cc	<b>Checked</b>			<b>Material</b>	Glass	
			<b>Date</b>	2016.02.17			
<b>Weight</b>	175 ± 12.0g	<b>Approved</b>			The <b>CARY COMPANY</b>		
			<b>Date</b>	2016.02.01		Est. 1895	