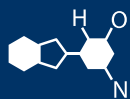


IF YOU...



MIX IT. FILL IT. PACK IT. SHIP IT.

WE HAVE A **PRODUCT** FOR YOU

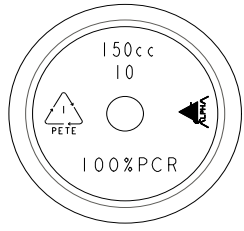
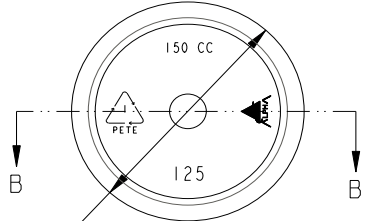
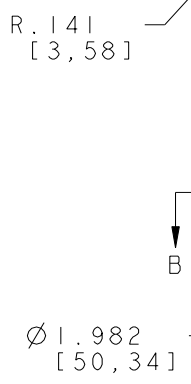
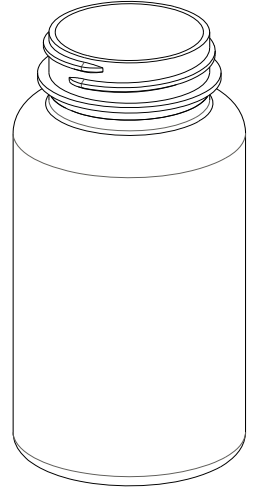
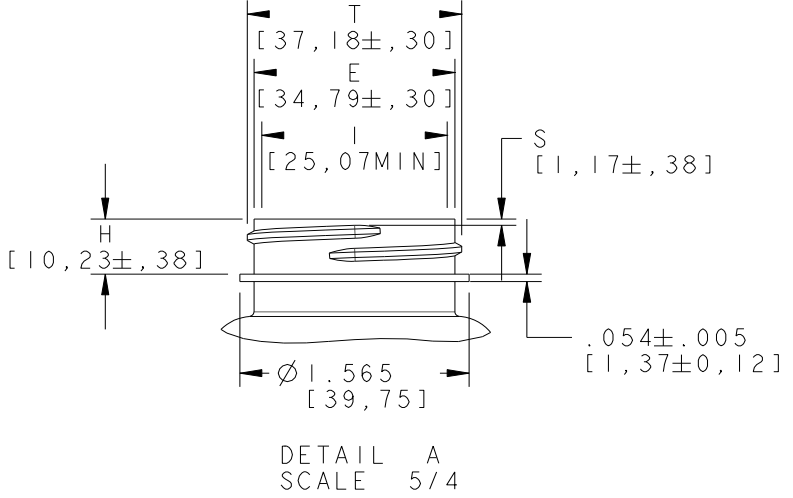
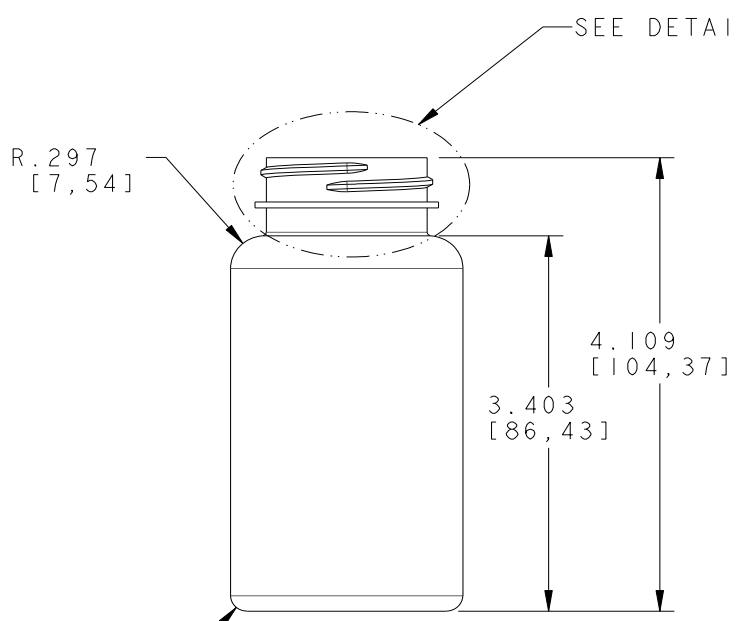
Part #30WA15

Plastic Packer Bottles

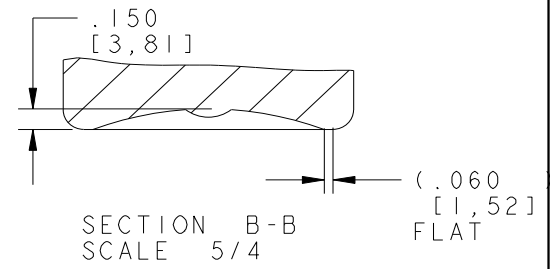
5 oz. (150 cc) Dark Amber PET Plastic
Packer Bottle, 38mm 38-400



The
CARYCOMPANY
Est. 1895



ALT BOTTOM PLUG CONFIG



Neck Finish: L38SP400		DISCLAIMER: Alpha Packaging assumes no responsibility for form, fit and function of closures, accessories, and/or shelf life and compatibility of intended contents with this bottle.				
©Alpha Packaging, Inc.	Min Thk	Color	Weight	Std. Pack	Revisions	
All measurements are in inches, [Metric]	.012 [,30]	All Colors	21 Gms±3	410, Bulk	L Pack was 552, Stack, 5/25/11, sct	
	.012 [,30]	All Colors Heavy Gram 200 P	24 Gms±3	410, Bulk	M WT was ±1, 9/16/13, sct	
Neck Dimensions:		Tolerance: Where not shown			Scale: 1/1	
T = 1.464±.012		Decimal ±0.05 [1,27]			Drawn By: SCT Date: 07-25-00	
E = 1.370±.012		Angular ±1°			150cc, STRAIGHT SIDED, PET, 38-400 CT	
H = .403±.015		Material: PET			Approved By: SJ	
I = 0.987 MIN		Overflow Capacity: 170 ml ± 6			Drawing NO: 150PS1XX38L400	
S = .046±.015					Dwg Rev: M	