

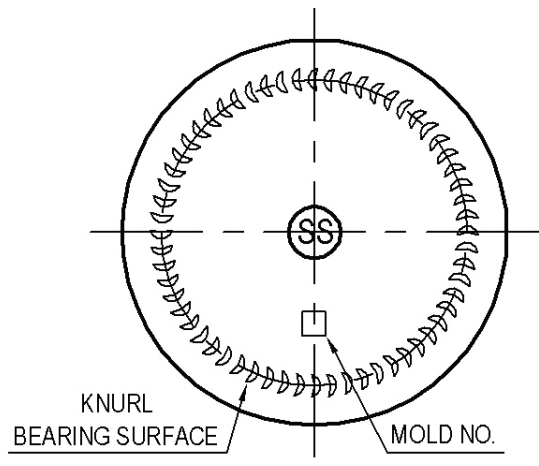
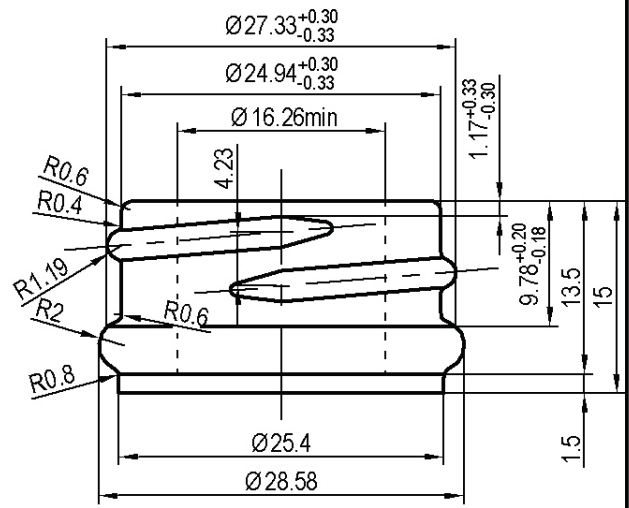
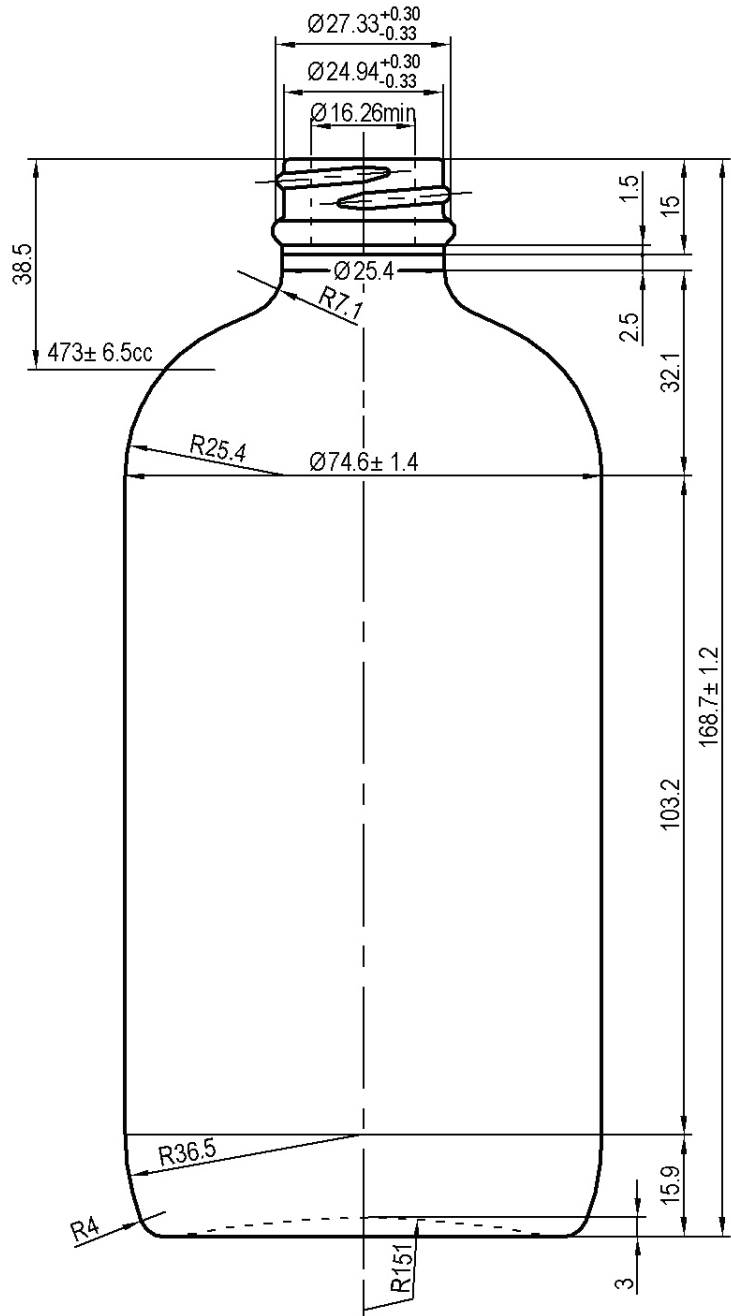
Part#: 30WA16



Part#	Size	Description	Opening	#/Case
30WA16	16 Oz	Amber Boston Round Glass Jar	28mm	60/Box



Supplied By: **The Cary Company**
Ph: 630-629-6600
www.thecarycompany.com



Nominal Capacity	473cc	Drawn	Jingsheng		Drawing Name	16oz	Scale
			Date	2006-01-11			
O. F. Capacity	506 ± 6.5cc	Checked			Material	Amber Glass	
			Date				
Weight	255 ± 11g	Approved					
			Date				