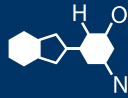


IF YOU...



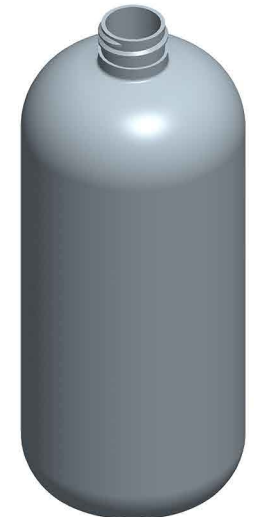
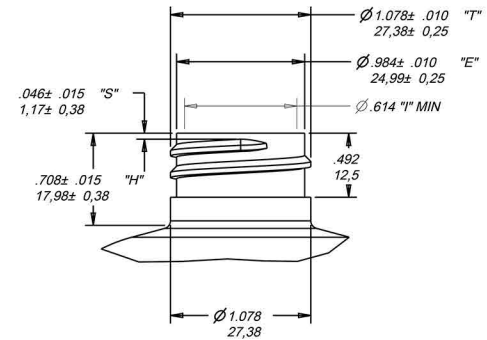
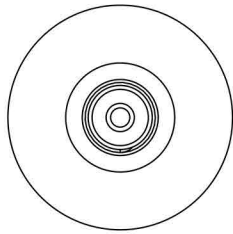
MIX IT. FILL IT. PACK IT. SHIP IT.

WE HAVE A **PRODUCT** FOR YOU

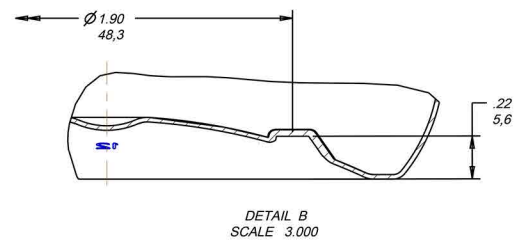
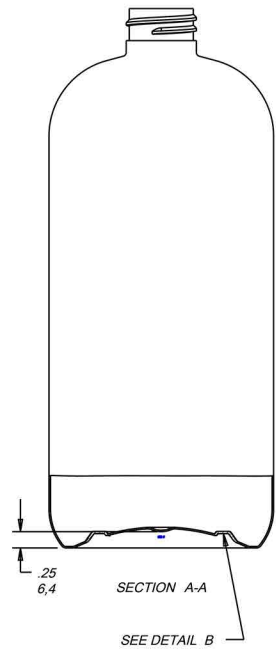
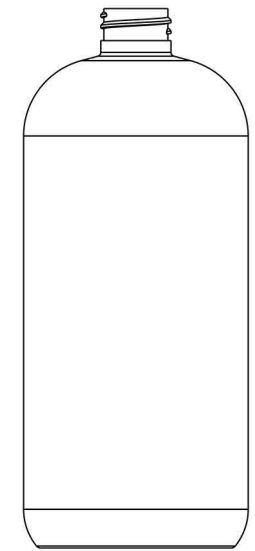
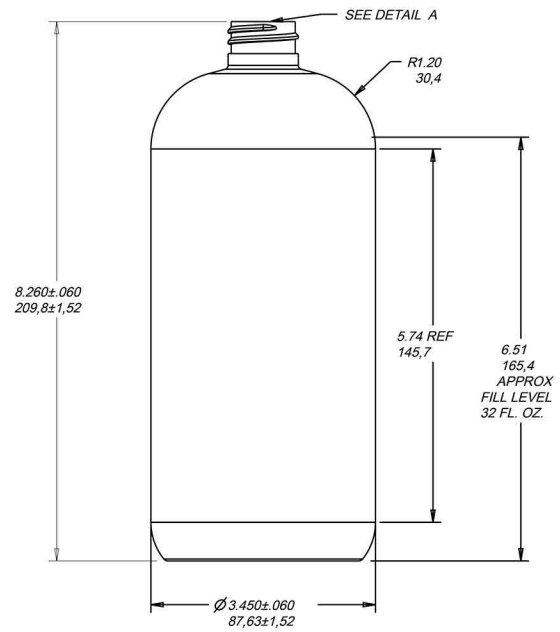
Part # 30WA30

32 oz. Light Amber PET Plastic Boston Round
Bottle, 28mm 28-410

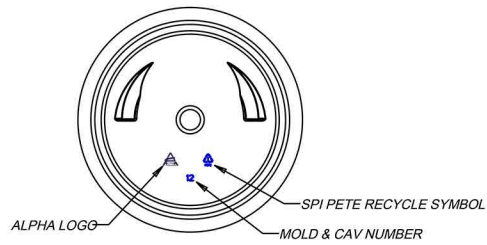




DETAIL A
M28-410 NECK FINISH
6 TPI, 1.5 THREAD TURNS
"I" MIN .250
SCALE 2.000



DETAIL B
SCALE 3.000



The **CARY COMPANY**
Est. 1895

NPD # 1154		DISCLAIMER:			
All measurements are in inches, (mm)	Color	Min. Thk (in.)	Weight (g)	Overflow (mL)	Revisions
	ALL COLORS	.012	47.0 ± 2.0	1061 ± 15	A 1" INCR TO MATCH SPI (E881) PER GA INITIAL MEASURE. 5 BYRNE
					B UPDATE TO PRODUCTION. REMOVE LOG WEIGHT OPTION. MIN WALL .012"
					C HEIGHT DECIDED @ 250 PER REG DATA 1/28/14 5 BYRNE
Tolerance: Where not shown	NECK FINISH:	M28SP410		Scale: 1.000	Drawn By: E BYRNE Date: 26-Feb-13
Decimal ± 0.05 (1-27) Angular ± 1°	MATERIAL:	PET		32 OZ. BOSTON ROUND ISBM	Checked By: C
				Approved By:	Drawing NO: 32BR1XX28M4101S