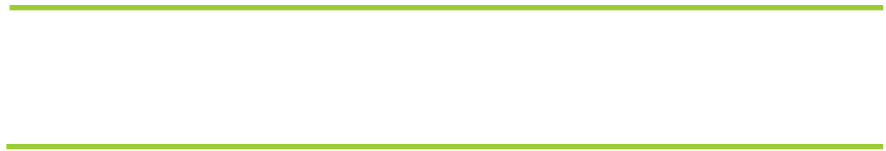


# IF YOU...



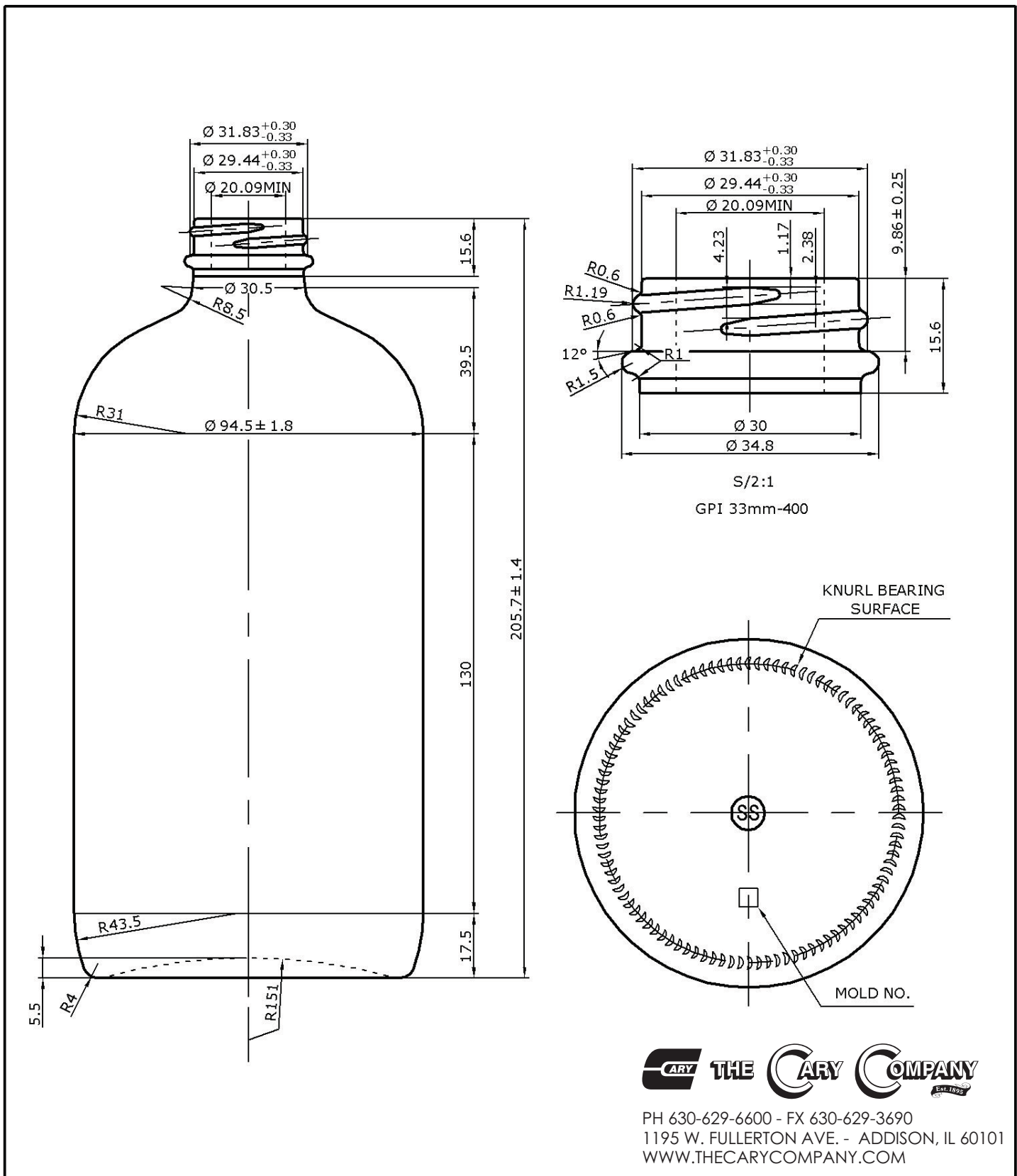
MIX IT. FILL IT. PACK IT. SHIP IT.

## WE HAVE A PRODUCT FOR YOU



Part #	30WA32
Capacity	32 oz.
Color	Amber
Material	Glass
Dimensions	3.72"Dia. x 8.098"H
Neck Finish	33-400
Neck Width	33mm
Case Pack	12 ea
Pallet Pack	1,188 ea. (99 Cases)
Industries	Pharmaceutical
Notes	Packed in a 12x1 Re-Shipper Carton 12/bx





PH 630-629-6600 - FX 630-629-3690  
 1195 W. FULLERTON AVE. - ADDISON, IL 60101  
 WWW.THECARYCOMPANY.COM

Nominal Capacity	32oz	Drawn	Jingsheng		Drawing Name	32oz	Scale
			Date	2006-01-05			
O. F. Capacity	1000 $\pm$ 12cc	Checked			Material	Amber Glass	
			Date				
Weight	480 $\pm$ 20g	Approved					
			Date				