

# IF YOU...



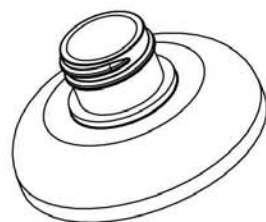
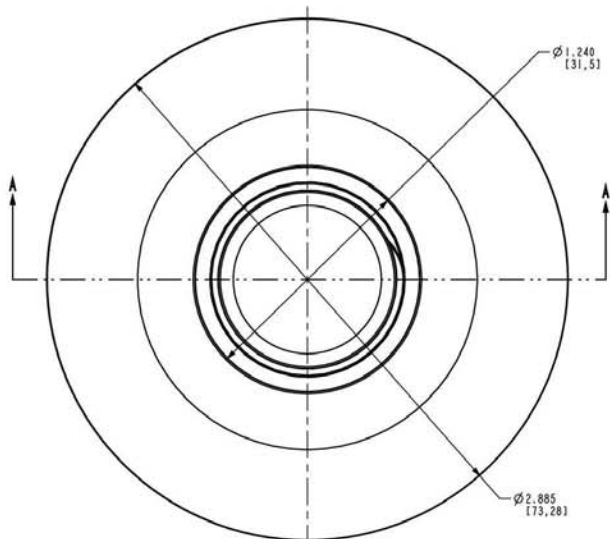
MIX IT. FILL IT. PACK IT. SHIP IT.

# WE HAVE A PRODUCT FOR YOU

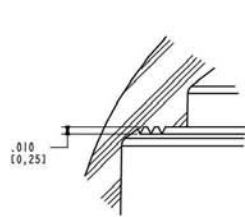


Part #	30WA7D
Neck Width	70mm
Neck Finish	70-400
Color	White
Material	PP
Case Pack	500 ea.
Pallet Pack	10,000 ea. (20 Cases)

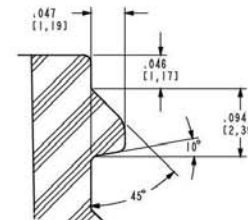




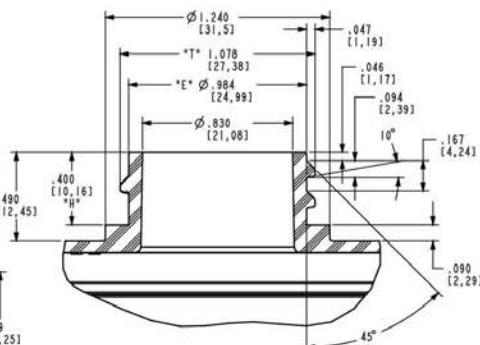
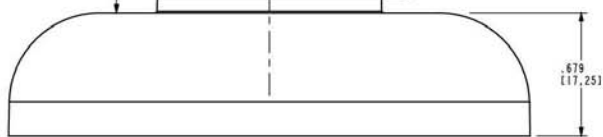
SCALE 1.000



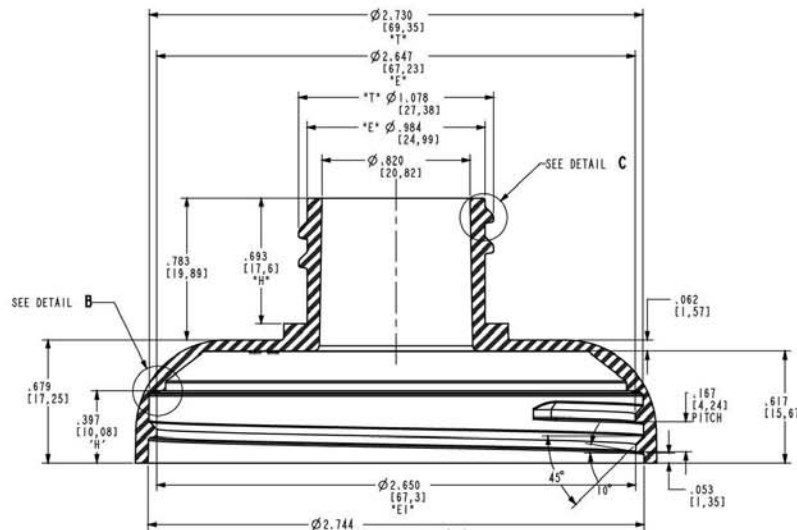
DETAIL B  
SCALE 8.000  
70-400 CLOSURE WITH 28-410 ADAPTER FINISH



DETAIL C  
SCALE 8.000  
70-400 CLOSURE WITH 28-410 ADAPTER FINISH

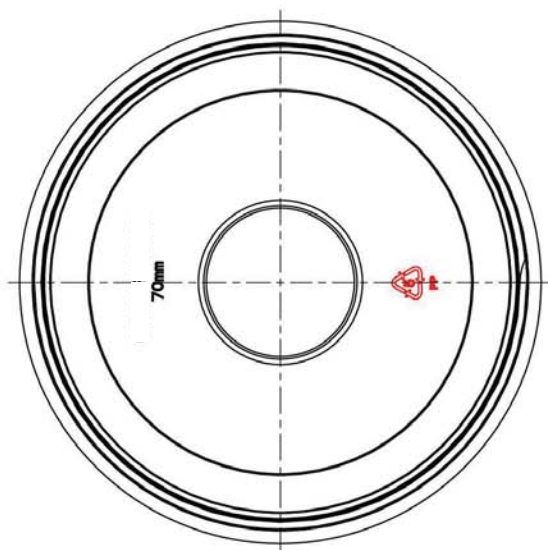


SECTION A-A  
SCALE 2.000  
70-400 CLOSURE WITH 28-400 FINISH



SECTION A-A  
SCALE 2.000  
70-400 CLOSURE WITH 28-410 ADAPTER FINISH

INTERNAL THREADS  
ARE JUMP THREADS  
6 TPI (1 1/8 TURNS)



NOTE:

DIMENSIONS REPRESENT 70-400 CAP W/ 28-400 ADAPTER FINISH. PART FAMILY TABLE CONTAINS 28-410 ADAPTER FINISH

PART NUMBER	T.P.I.	THREAD STYLE	THREAD TURNS	DIM 1	DIM 2	DIM 3
28-400	6	W	1 1/8 TURNS			
28-410	6	W	1 1/8 TURNS			

C	MODIFIED "H" DIM ON 28-400 NECK REMOVED LINER RETENTION BEAD. VERIFIED 28-410 NECK FINISH.	02/09/06		
B	E1 - 2.650 WAS 2.664, T1 - 2.744 WAS 2.758, TPI - 1 1/8 WAS 1 1/4, 28-400 NECK .831 WAS .842. RECYCLE LOGO ADDED. MODIFIED LINER RETENTION BEAD	05/11/06		
A	PRELIMINARY RELEASE	02/09/06		
REV. & ECM#	DESCRIPTION	DATE	PROD. ENG.	INPUT BY
TITLE		70-400 DOMED CLOSURE		
ALL DIMENSIONS AND TOLERANCES SHOWN ARE FOR PART SPECIFICATION ONLY.				
GENERAL TOLERANCE		DATE: 02/09/06		
INCHES .XXX ±.005 FOR DIM < 1.000		SCALE: 2:1		
METRIC .XX ±.13 FOR DIM < 25.40		PROJ. NO.: 1198-104		
ANGULAR ±0°15' FOR DIM > 1"		SHEET 1 OF 1		
CONFIDENTIAL		DRAWING NUMBER - REV		
POSSESSION OF THIS DRAWING IS AN ACKNOWLEDGEMENT THAT IT AND ITS CONTENTS ARE THE EXCLUSIVE PROPERTY OF CARY. THIS DRAWING OR THE DRAWING MAY NOT BE REPRODUCED IN ANY FORM WHATSOEVER WITHOUT WRITTEN PERMISSION FROM		CARON_70-400_DOMED-A		



Supplied By: **The Cary Company**  
Ph: 630-629-6600  
www.thecarycompany.com