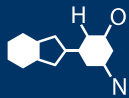


IF YOU...



MIX IT. FILL IT. PACK IT. SHIP IT.

WE HAVE A **PRODUCT** FOR YOU

Part #30WA81

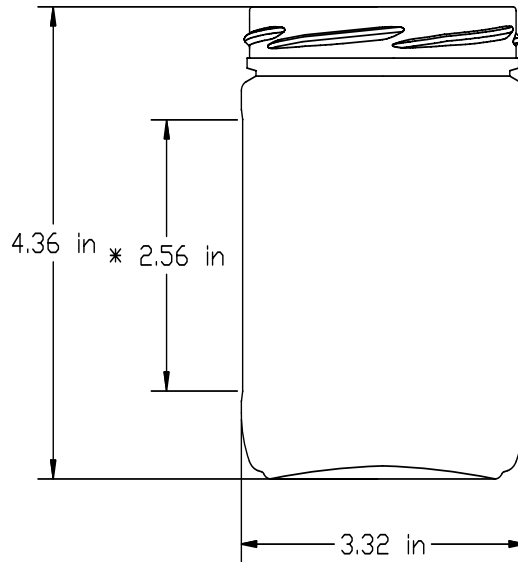
Glass Economy Jars

16 oz. Clear Glass Straight Sided "Salsa" Jar,
82mm 82-2040, 12/cs



The
CARYCOMPANY
Est. 1895

Finish: 82-2040
Height: 4.36 in
Diameter: 3.32 in
Volume/Overflow: 16.44 fl. oz.



*Note: Maximum label panel shown. It is the customers responsibility to size their label accordingly.

A0016-110W

Document QC-CP-0036-01
Issued: 3/4/2014
Revision: 1

Quantitative values are approximate
Current revision supersedes any previous
document