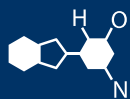


# IF YOU...



MIX IT. FILL IT. PACK IT. SHIP IT.

# WE HAVE A **PRODUCT** FOR YOU

Part #30WA83

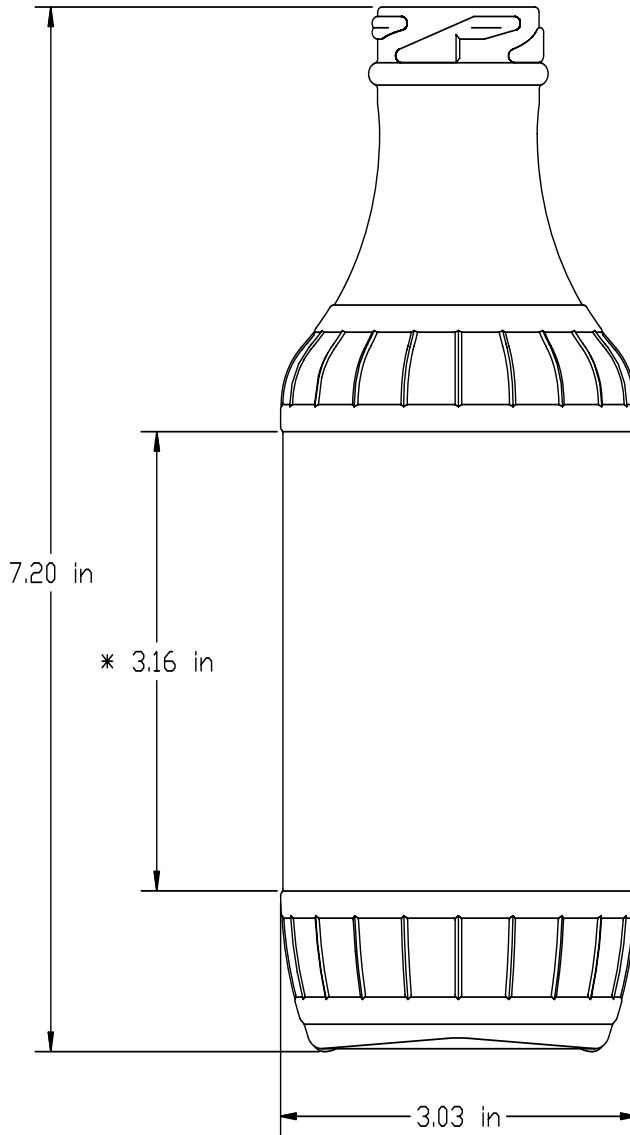
Glass Decanter Bottles

16 oz. Clear Glass Decanter Bottle, 38mm 38-2000, 12/cs



The  
**CARY**COMPANY  
Est. 1895

Finish: 38-2000  
Height: 7.20 in  
Diameter: 3.03 in  
Volume/Overflow: 17.38 fl. oz.



\*Note: Maximum label panel shown. It is the customers responsibility to size their label accordingly.

A0016-100W

Document QC-CP-0034-01  
Issued: 3/4/2014  
Revision: 1

Quantitative values are approximate

Current revision supersedes any previous  
document