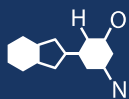


# IF YOU...



MIX IT. FILL IT. PACK IT. SHIP IT.

## WE HAVE A **PRODUCT** FOR YOU

Part #: 30WAG5

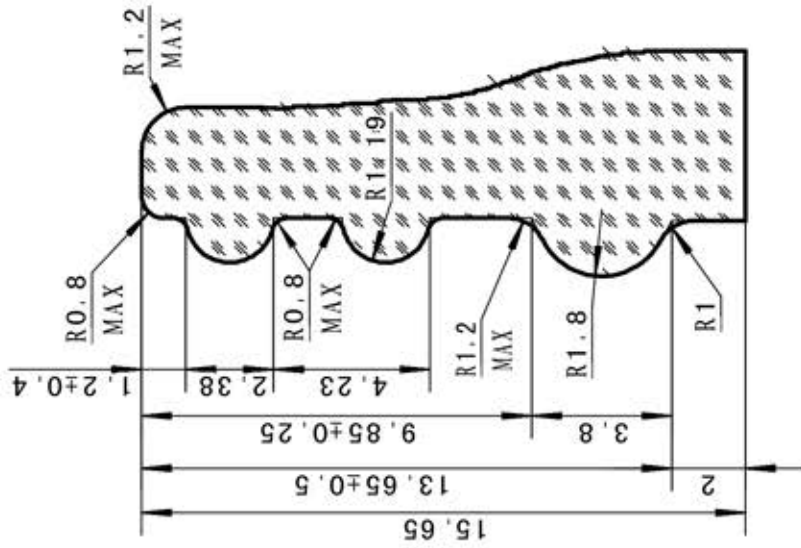
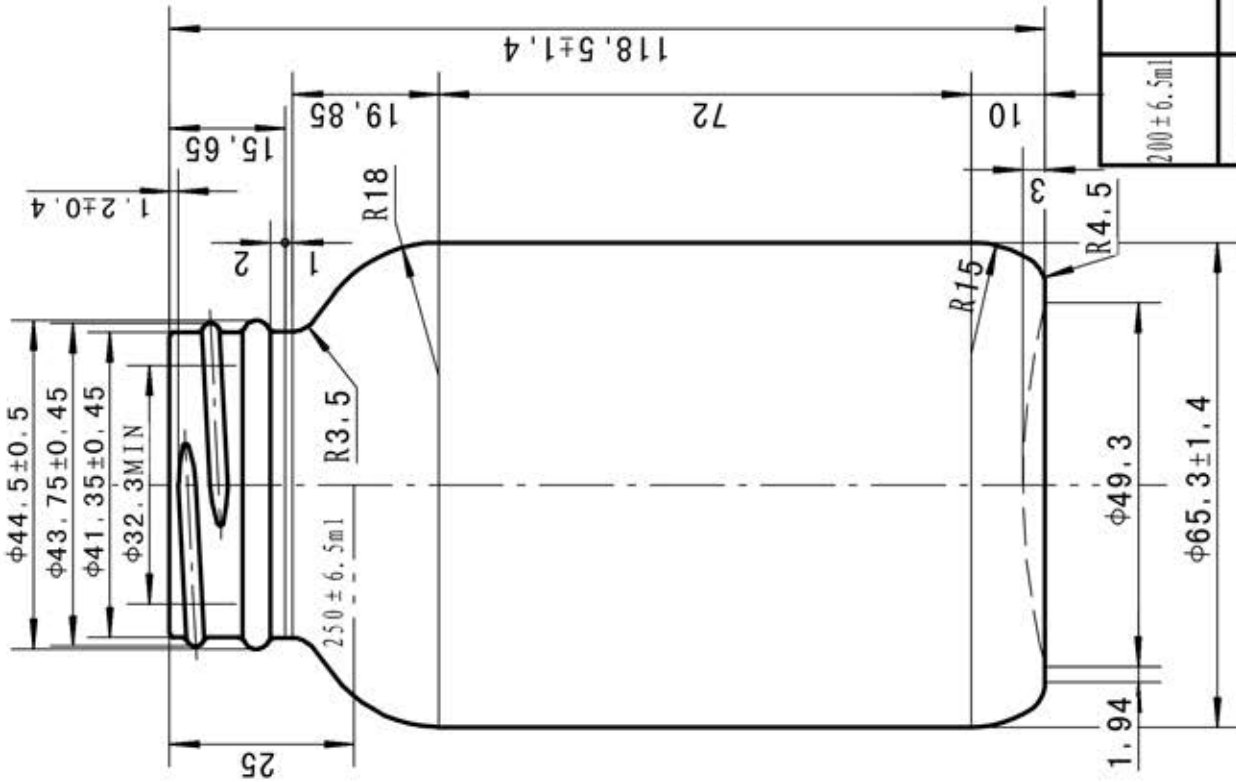
Glass Packer Bottles

8 oz. (250 cc) Amber Glass Packer Bottle,  
45mm 45-400

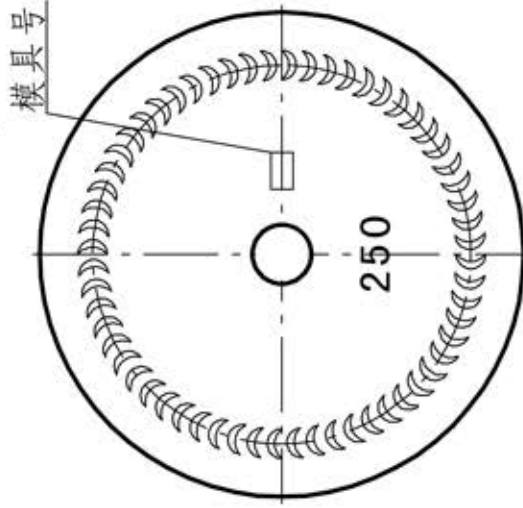
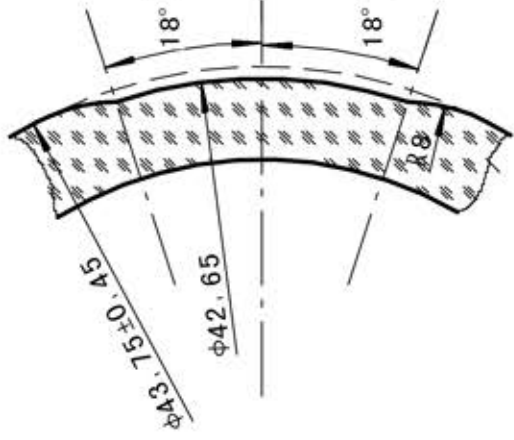


The  
**CARY**COMPANY  
Est. 1895

1195 W. Fullerton Ave. | Addison, IL 60101 | T: 630.629.6600 | F: 630.629.3690 |



口部放大  
5:1



制图	日期	名称	比例
翟凤伟	2007-2-27	250PSS	1:1
审核	日期	材料	
审定	日期		
满口容量	≈ 274ml		
重量	170 ± 16g		