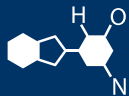


IF YOU...



MIX IT. FILL IT. PACK IT. SHIP IT.

WE HAVE A **PRODUCT** FOR YOU

Part #30WAQ5

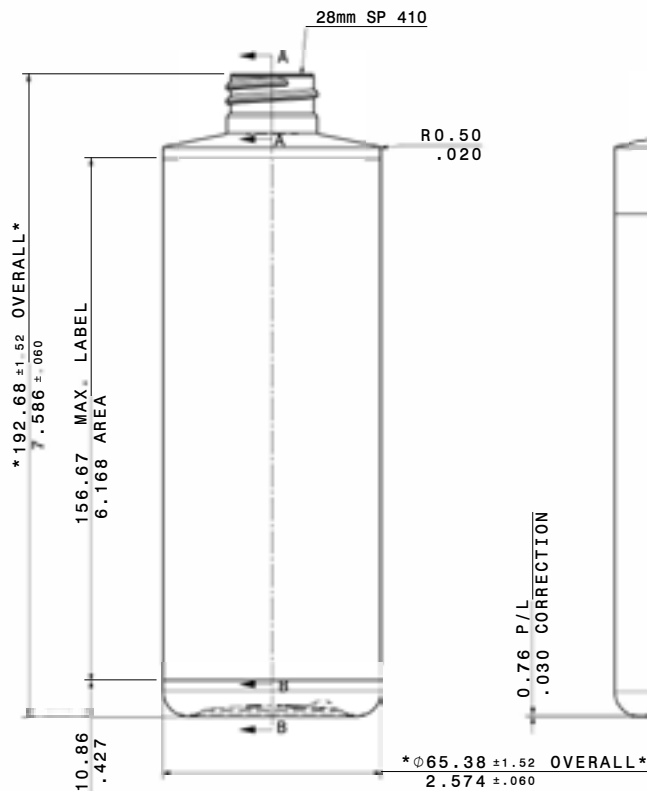
Plastic Bottles

16 oz. Fluorinated Level 5 Natural HDPE
Plastic Cylinder Bottle, 28 mm 28-410



The
CARYCOMPANY
Est. 1895

1195 W. Fullerton Ave. | Addison, IL 60101 | T: 630.629.6600 | F: 630.629.3690 | TheCaryCompany.com



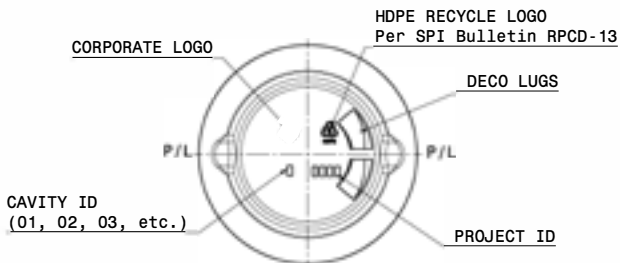
41.78 FILL
 1.645 LEVEL

R0.50
 .020

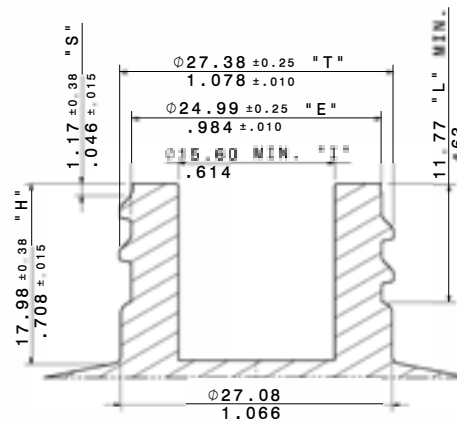
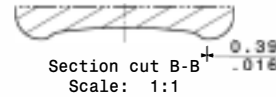
0.76 P/L
 .030 CORRECTION

3.50 BASE
 .138 CLEARANCE

* $\phi 65.38 \pm 1.52$ OVERALL*
 2.574 ± .060



All Base engraving per CAD Geometry
 Recessed in mold 0.3mm / .012",
 raised on container



Section cut A-A
 Scale: 3:1

Rev	Description	By	Date	ECR
A	CONVERTED TO AMCOR DRAWING/WEIGHT WAS 34 ± 1GM	KDG	31JUL18	0000127509
B	CONVERTED TO 3D DATA/DRAWING, WT WAS 33.9GM	KDG	29MAR19	0000137525

Notes:

- Dimensions are nominal in millimeters/inches.
- The "As Delivered" specifications apply to containers at the time of delivery to the customer. This assumes that the bottles have been produced, stored, and transported in accordance with agreed Good Manufacturing Practices as defined in SOP-008 and associated standards.
- The dimensional tolerances to be applied to all height dimensions are the same as the tolerance applied to the Overall Height of the container.
- The dimensional tolerances to be applied to all diameter, width and thickness dimensions are the same as the tolerance applied to the major diameter or width of the container.
- Toleranced dimensions marked with "*" are used in ongoing manufacturing control and those marked with "#" are used only for initial qualification

CONFIDENTIAL

Capacity Specification			
Fill Point Capacity	473.2 ± 13 ml	16.00 ± 0.44 oz	
Overflow Capacity	550.4 ± 13 ml	18.61 ± 0.44 oz	
Volume & Weight Information			
Calculated Overflow Capacity:	550.4 ml	Calculated Fill Line Capacity:	473.2 ml
Material:	HDPE	As Blown Density:	0.955 gm/cc
		Container Target Weight:	32.0 ± 2.5 gm
Total Surface Area:	424.3 sq.cm	Avg. Wall Thickness:	.031" / 0.79 mm
Drawing Information			
Process:	EBM	Finish:	28mm SP 410
		Reference Drawing:	4-12600-3E
Date:	31JUL18	Drawn By:	KDG
		Customer:	AMCOR
Title:	16oz Cylinder		

CONFIDENTIAL

3D CAD IS THE MASTER MODEL FOR THIS PRODUCT

THIS DOCUMENT IS THE EXCLUSIVE PROPERTY OF The Cary Company. THE INFORMATION CONTAINED HEREIN, AND ANY MODEL CONTAINER, PREFORM OR OTHER ARTICLE RECEIVED, IS OF A CONFIDENTIAL AND PROPRIETARY NATURE AND MUST BE USED ONLY FOR THE PURPOSE FOR WHICH IT IS DISCLOSED. THE HOLDER AGREES NOT TO DISCLOSE TO A THIRD PARTY AND TO RETURN THE SAME TO The Cary Company UPON COMPLETION OF USE OR REQUEST. THIS DRAWING IS NO LONGER A CONTROLLED DOCUMENT WITHIN The Cary Company. DO NOT ASSUME THAT THIS IS THE CURRENT DRAWING.

	SPRING TOOL:	PRODUCT DRAWING
	SCISSOR NUMBER:	Rev.
C	70774-PD	B