

IF YOU...



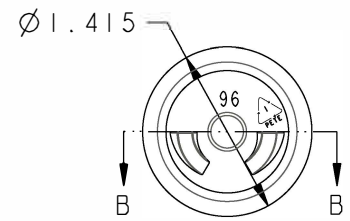
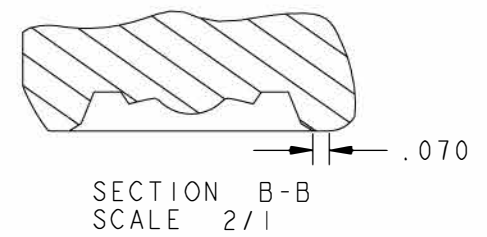
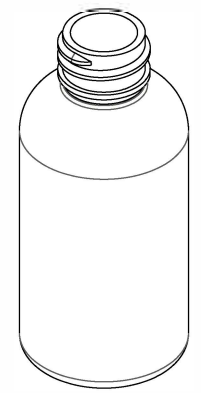
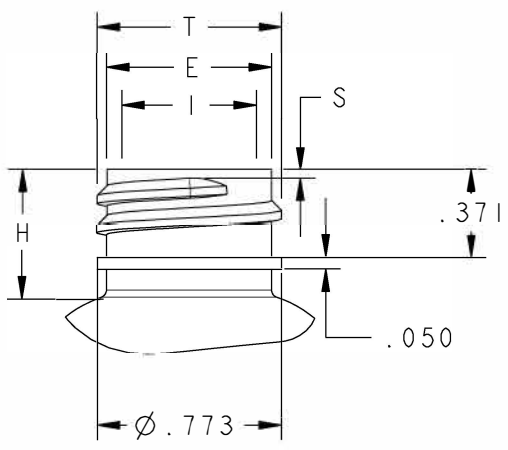
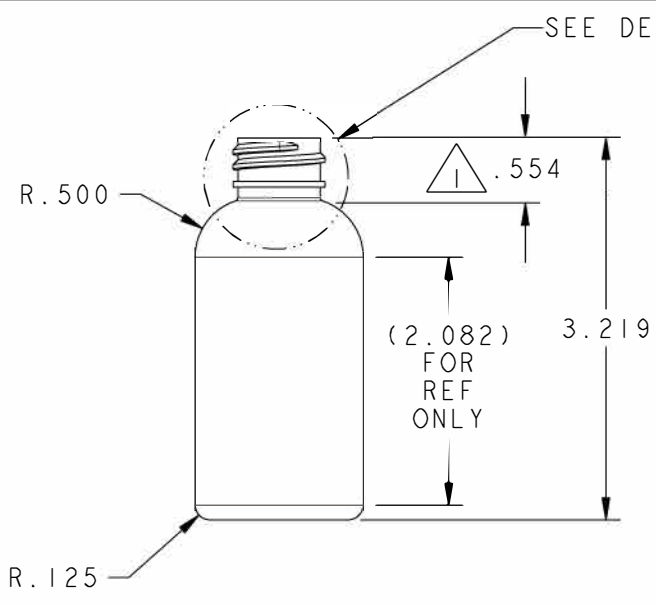
MIX IT. FILL IT. PACK IT. SHIP IT.

WE HAVE A **PRODUCT** FOR YOU

Part # 30WB02

2 oz. Clear PET Plastic Boston Round
Bottle, 20mm 20-410





NOTE:
 CLOSURES WITH MORE THAN 1 1/2 TURNS OF THREAD MAY INTERFERE WITH BEAD, WHICH ALSO MAY RESULT IN AN IMPROPER SEAL AT LAND AREA.

△ 2 8.2g OVFL = 62.5 ml
 9.5g OVFL = 61.47 ml

△ 1 APPROX. 2 OZ FILL LEVEL

Neck Finish: M20SP410						
©Alpha Packaging, Inc. All measurements are in inches, [Metric]	Min Thk	Color	Weight	Std. Pack	Revisions	
	.010	All Colors	8.2 Gms ±1	1120, Bulk	-	Chg PN - was PET-27-00, 11-15-01, S.T.
	.015	All Colors Heavy Gram	9.5 Gms ±1	1120, Bulk	A	Add 8.2g, 7-15-05, sct
Neck Dimensions:					Tolerance: Where not shown Decimal ±0.05 [1,27] Angular ±1°	
T = .775±.008 E = .691±.008 H = .554±.015 I = 0.404 MIN S = .037±.015					Material: PET	
Overflow Capacity: ± 2.5 ml △ 2					2oz BOSTON ROUND, PET,20-410 2BR20410PET C	
					Scale: Drawn By: SCT Date: 07-03-01 Approved By: SJ Drawing NO: 2BR1XX20M410	

Supplied By: **The Cary Company**
 Ph: 630-629-6600
 www.thecarycompany.com

The **CARY COMPANY**
 Est. 1895