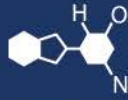


IF YOU...



MIX IT. FILL IT. PACK IT. SHIP IT.

WE HAVE A PRODUCT FOR YOU

Part #: 30WB24

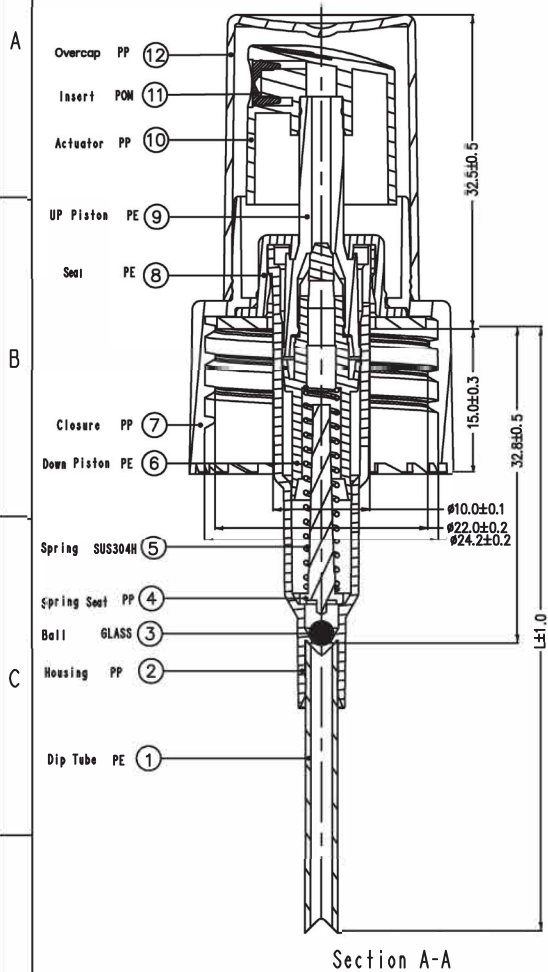


The
CARYCOMPANY
Est. 1895

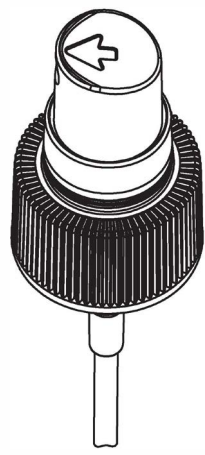
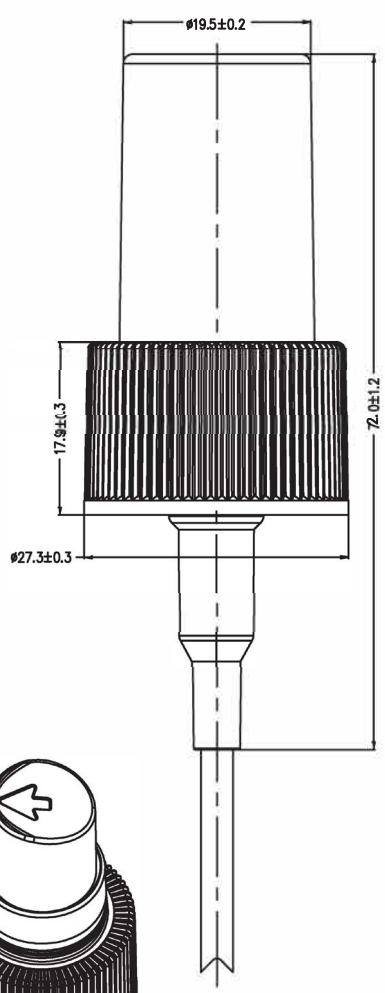
1195 W. Fullerton Ave. | Addison, IL 60101 | T: 630.629.6600 | F: 630.629.3690 |

K

3		4	
MARK	REVISER	DESCRIPTN	DATE



- Overcap PP ⑫
- Insert POM ⑪
- Actuator PP ⑩
- UP Piston PE ⑨
- Seal PE ⑧
- Closure PP ⑦
- Down Piston PE ⑥
- Spring SUS304H ⑤
- Spring Seat PP ④
- Ball GLASS ③
- Housing PP ②
- Dip Tube PE ①



Discharge Rate: 0.20 ± 0.02 ml/T

F	TOLERANCE			○	DRAFTER: CHECKED: SENSOR: APPROVED:	UNIT: mm	The CARY COMPANY <small>Est. 1895</small>	
	0mm-15mm	±0.05	±0.10	±0.50		MODEL NAME:	TITLE: 30WB24 Black Assembly	
	15mm-30mm	±0.05	±0.15	±1.00		SCALE:	VISUAL ANGLE Q'TY:	REV:
	30mm-50mm	±0.10	±0.20	±1.50			1/1	A0
	50mm-99mm	±0.15	±0.30	±2.00				
	ABOVE 99mm	±0.20	±0.40	±2.50				
	CENTER	±0.10	±0.50	±1.00		PART NO:	FILE NO:	
	ANGLER	±0.25°	±0.50°	±2.00°			D-	