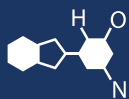


# IF YOU...



MIX IT. FILL IT. PACK IT. SHIP IT.

# WE HAVE A PRODUCT FOR YOU

Part #: 30WB35

---

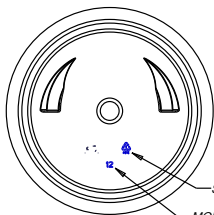
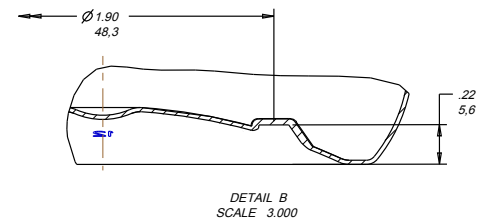
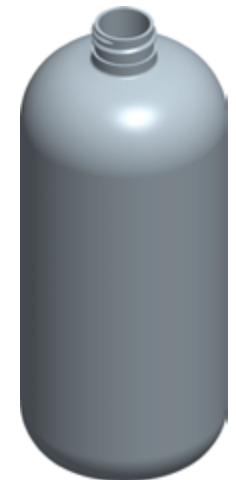
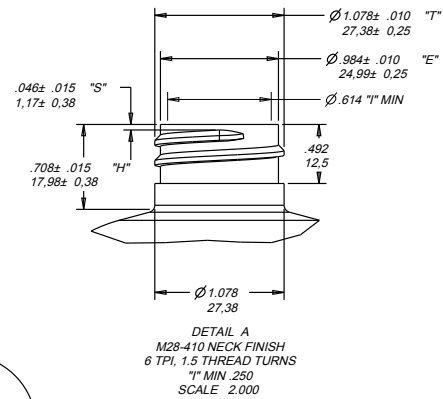
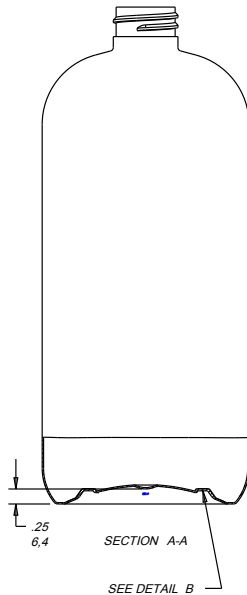
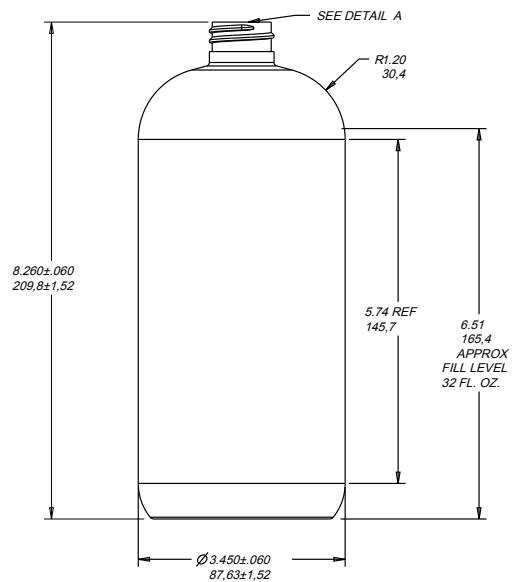
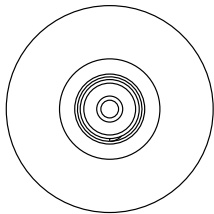
---



---

The  
**CARY**COMPANY  
Est. 1895

1195 W. Fullerton Ave. | Addison, IL 60101 | T: 630.629.6600 | F: 630.629.3690 |



SPI PETE RECYCLE SYMBOL  
MOLD & CAV NUMBER

NPD # 1154		DISCLAIMER: THE CARY COMPANY assumes no responsibility for form, fit and function of closures, accessories, and/or shelf life and compatibility of intended contents with this bottle.			
All measurements are in inches. (mm)	Color	Min. Thk (in.)	Weight (g)	Overflow (mL)	Revisions
	012	47.0 ± 2.0	1061 ± 15		A: 1" REQUIRED TO MATCH SPI 0.881" B: POLYON PATENT REQUIREMENT C: UPDATE TO PRODUCTION REQUIREMENT D: WEIGHT TOLERANCE NEW POLYON E: WEIGHT TOLERANCE NEW POLYON F: WEIGHT TOLERANCE NEW POLYON
Tolerance: Where not shown	NECK FINISH	M28SP410		Scale: 1.000	Drawn By: S BYRNE Date: 26-FEB-13
Decimal ± 0.05 (1.27) Angular ± 1°	MATERIAL:	PET		32 OZ. BOSTON ROUND ISBM	Checked: C
				Approved By:	Drawn: M.C. 32BR11X28M4101S