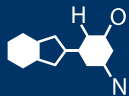


IF YOU...



MIX IT. FILL IT. PACK IT. SHIP IT.

WE HAVE A **PRODUCT** FOR YOU

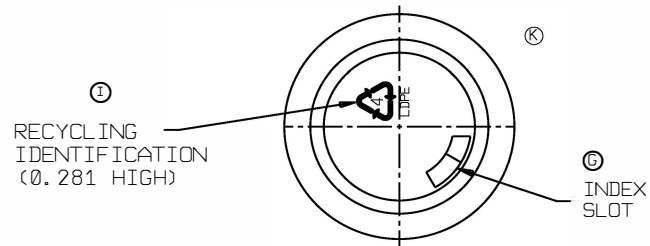
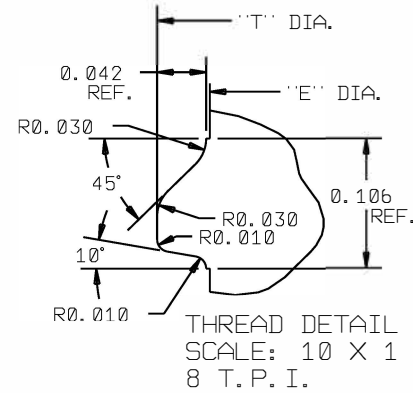
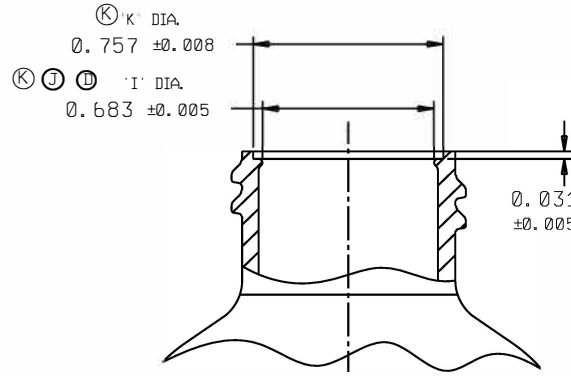
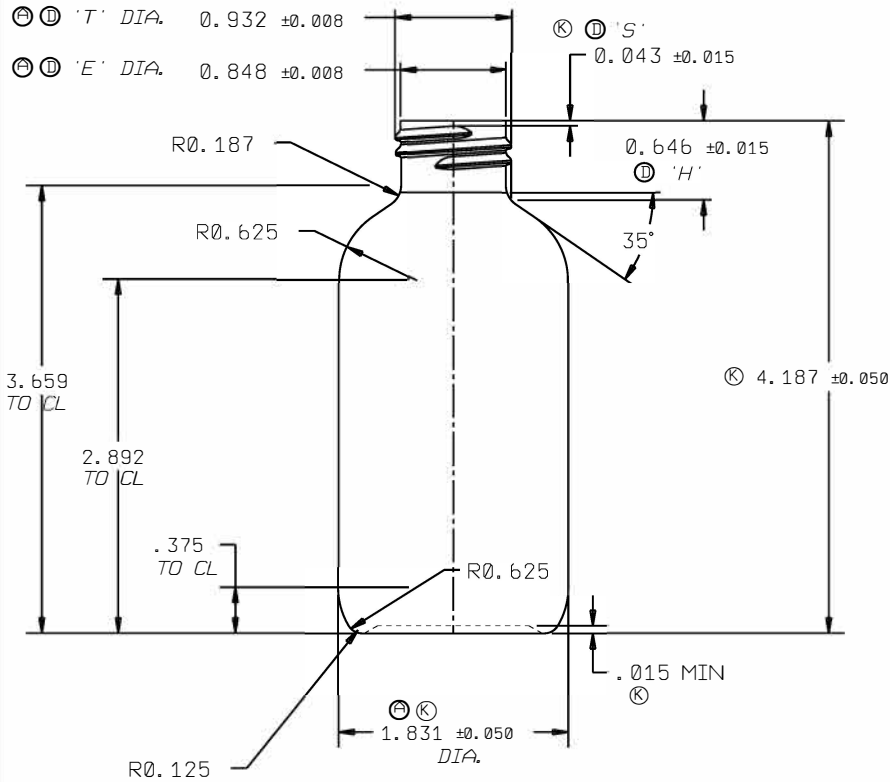
Part #30WB4N

Boston Round Plastic Bottles

4 oz. Natural LDPE Plastic Boston Round Bottle,
24mm 24-410



The
CARYCOMPANY
Est. 1895



- NOTES:
- (1) DIMENSIONS ARE IN INCHES.
 - (2) ALL DIMENSIONS APPLY AFTER FLAMING.
 - (3) ALL DIMENSIONS NOT TOLERANCED ARE FOR REFERENCE ONLY.
 - (4) TOLERANCES APPLY TO THE AVERAGE OF TWO MEASUREMENTS TAKEN 90° APART ON DIAMETERS. FIRST OF THESE MEASUREMENTS SHOULD BE TAKEN 15° OFF OF THE PARTING LINE.
 - (5) M24-SP410 NECK FINISH
1 1/2 TURNS OF THREAD -- 8 T.P.I.
 - (6) MIN CORNER WALL THICKNESS: 0.015"

Rev	Description	By	Date	ECR
A	.930±.008/-0.005 "T" DIA. WAS .930±.006 .846±.005/-0.008 "E" DIA. WAS .846±.006 1.831±.031 DIA WAS 1.843±.031 DIA 14.3 GRAMS WAS 15 GRAMS 132 ±4.5cc O/F F & LEHRED WAS 128.5±4.5cc O/F 137±4.5cc F/F FLAMED WAS 133±4.5cc O/F	JHS	02FEB99	
B	ADDED: PROJ. NO. 72-8	FR	04NOV72	
C	14.6 GRAMS WAS 14.3 GRAMS	CLM	25OCT73	
D	SPI WAS GCMI	CLM	07JUN74	
ALL RELATED DIM. REVISED				
E	14.6±.5 GRAMS WAS 14.6 GRAMS	DJD	25oct74	
F	PROJ. NO. 72-614 WAS 72-8	FC	20FEB76	
G	CHAMFERED B.P.U. WAS SPHERICAL PROD. DWG. NO. DELETED WHEATON TRADEMARK & CAVITY I.D. RELOCATED	JAG	25MAY78	
H	REVISED AND REDRAWN REMOVED FLAMED & LEHRED SPECS.	DMT	30JUL97	
I	RECYCLING IDENTIFICATION WAS ADDED	DMT	28AUG97	
-	TITLE BLOCK UPDATED. ALCAN PKG. WAS WAS LAWSON MARDON WHEATON.	PJM	05SEPO6	
-	UPDATED TITLE BLOCK, UPDATED NOTES REPLACED TOLERANCE BLOCK WITH NOTE #3 MOVED MIN CORNER WALL TO NOTE #6 NO PHYSICAL CHANGE TO PART	NDH	23DEC11	416411511455-058
J	"I" Ø.686±0.005 WAS "I" Ø.683±0.005	JCG	15MAY18	0000124054
K	"I" Ø.683±0.005 WAS 0.686±0.005 "S".043±0.015 WAS 0.043±0.013/-0.012 "K".0.757±0.008 WAS 0.757±0.005 OAH 4.187±0.050 WAS 4.187±0.047 OAD 1.831±0.050 WAS 1.831±0.031 PUSHPUP 0.015 MIN WAS 0.062±0.047 OVERFLOW CAPACITY 137.0±5.0 WAS 137.0±4.5 CONTAINER WEIGHT 14.6±0.8 WAS 14.6±0.5 REMOVED WHEATON ENGRAVING	JCG	16SEP19	0000145168

CONFIDENTIAL

Capacity Specification

Overflow Capacity (K)(A) 137.0 ± 5.0 ml

Volume & Weight Information

Calculated Overflow Capacity: 137.0 ml
Calculated Fill Line Capacity: ml

Total Mat'l Vol.: cc
Material: LDPE (A)(C) (E)(K) 14.6±0.8 gm
Container Target Weight:

Aprox. Total Surface Area: sq.in
As Blown Density: .92 gm/cc
Avg. Wall Thickness: 0.030 (REF) in

Drawing Information

Date: 30SEP97
Drawn By: DMT
Customer: STOCK

Title: 4oz. BOSTON ROUND

Drawing Type: PRODUCT DRAWING
Drawing Number: B 20929
Rev: K

CONFIDENTIAL

2D CAD IS THE MASTER MODEL FOR THIS PRODUCT
THIS DOCUMENT IS THE EXCLUSIVE PROPERTY OF AMCOR RIGID PACKAGING USA, LLC. THE INFORMATION CONTAINED HEREIN, AND ANY MODEL CONTAINER, PREFORM OR OTHER ARTICLE RECEIVED, IS OF A CONFIDENTIAL AND PROPRIETARY NATURE AND MUST BE USED ONLY FOR THE PURPOSE FOR WHICH IT IS DISCLOSED. THE HOLDER AGREES NOT TO DISCLOSE TO A THIRD PARTY AND TO RETURN THE SAME TO AMCOR RIGID PACKAGING USA, LLC UPON COMPLETION OF USE OR REQUEST. THIS DRAWING IS NO LONGER A CONTROLLED DOCUMENT WITHIN AMCOR RIGID PACKAGING USA, LLC. DO NOT ASSUME THAT THIS IS THE CURRENT DRAWING.