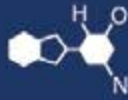


IF YOU...



MIX IT. FILL IT. PACK IT. SHIP IT.

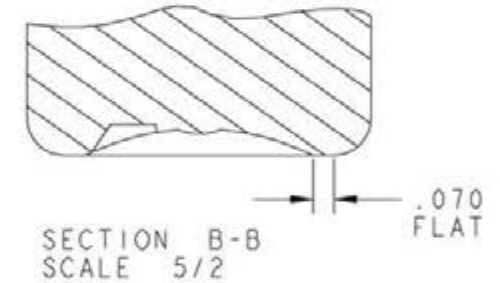
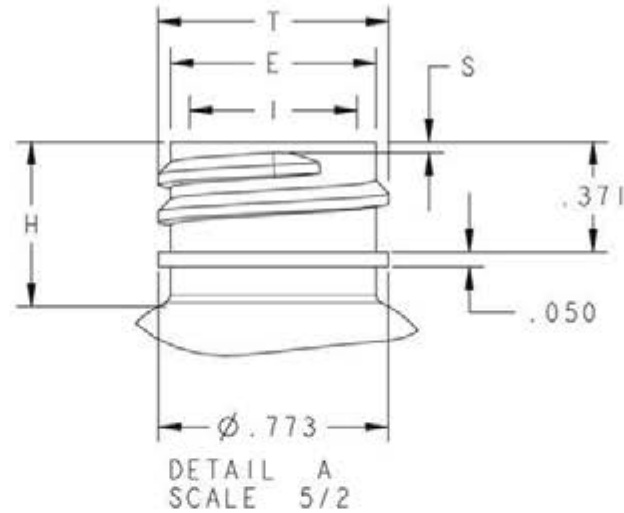
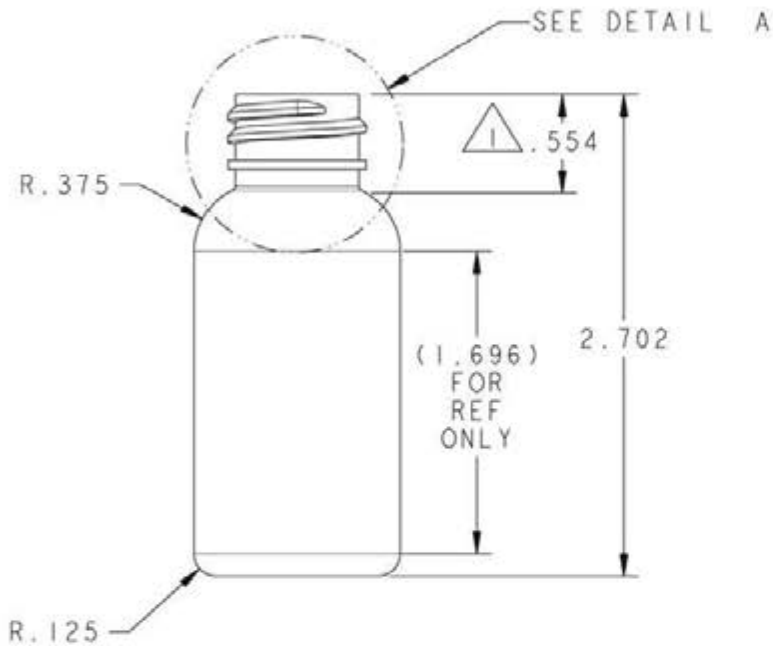
WE HAVE A PRODUCT FOR YOU

Part #: 30WBA1

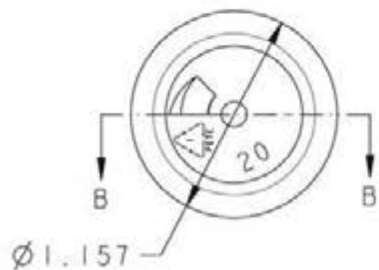


The
CARYCOMPANY
Est. 1895

1195 W. Fullerton Ave. | Addison, IL 60101 | T: 630.629.6600 | F: 630.629.3690 |



NOTE:
 CLOSURES WITH MORE THAN 1 1/2 TURNS OF THREAD MAY INTERFERE WITH BEAD, WHICH ALSO MAY RESULT IN AN IMPROPER SEAL AT LAND AREA.



APPROX. 1 OZ FILL LEVEL

Neck Finish: M20SP410							
	Min Thk	Color	Weight	Std. Pack	Revisions		
All measurements are in inches, [Metric]	.012	ALL COLORS	8.2 Gms ±1	990, Bulk	A	Add 8.2g. 7-28-05.scl	30WBA1
	.015	All Colors Heavy Gram	9.5 Gms ±1	990, Bulk	B	Revis. by also 8/15/07.scl	
					C	Add note. 5/16/11.scl	
Neck Dimensions:				Tolerance: Where not shown		Scale: [] Drawn By: SCT Date: 07-03-01	
T = .775±.008				Decimal ±0.05 [1,27]		1oz BOSTON ROUND, PET, SP410 1BR20410PET	
E = .691±.008				Angular ±1°		C	
H = .554±.015				Material: PET		Approved By: [] Drawing NO: []	
I = .404 MIN						S J 1BR1XX20M410	
S = .037±.015		Overflow Capacity: 31.9 ml ± 3					