

# IF YOU...



MIX IT. FILL IT. PACK IT. SHIP IT.

# WE HAVE A PRODUCT FOR YOU

Part #: 30WBJ2

---

---

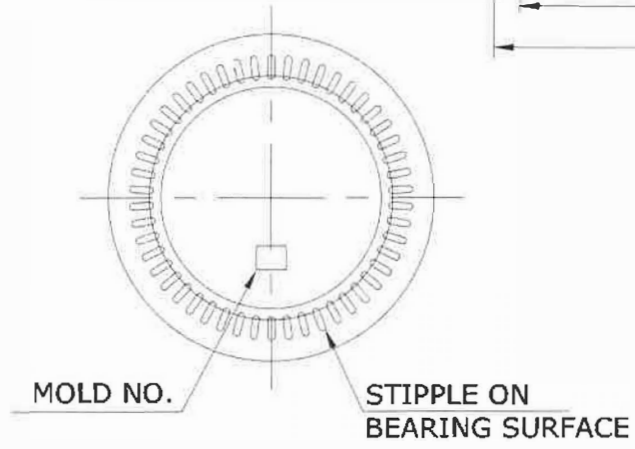
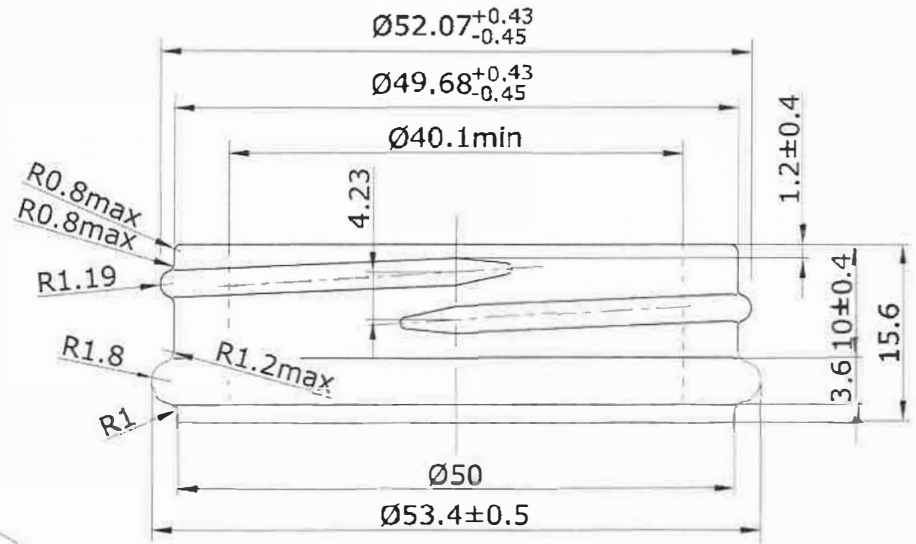
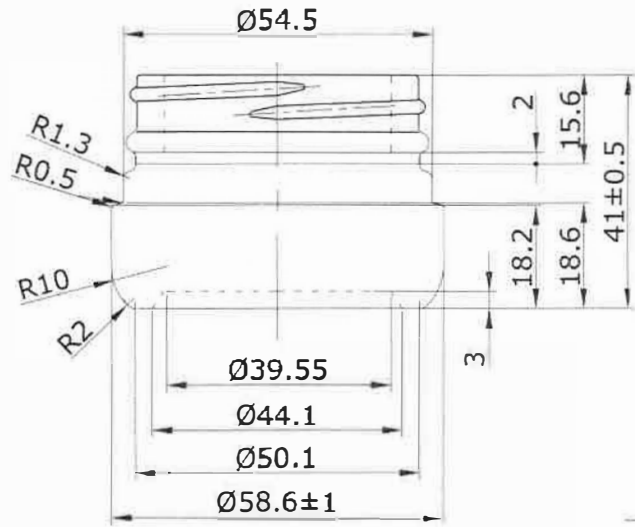


---

The  
**CARY**COMPANY  
Est. 1895

1195 W. Fullerton Ave. | Addison, IL 60101 | T: 630.629.6600 | F: 630.629.3690 |

gms



BOTTOM VIEW

S / 2:1  
GPI 53mm-400  
FINISH DETAIL

				Drawing NO.	
F.P. Capacity		Drawn	08/21/2018	Drawing Name	60ml ROUND
O.F. Capacity	60±5ml	Checked			
WEIGHT	76±5g	Approved			