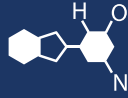


IF YOU...



MIX IT. FILL IT. PACK IT. SHIP IT.

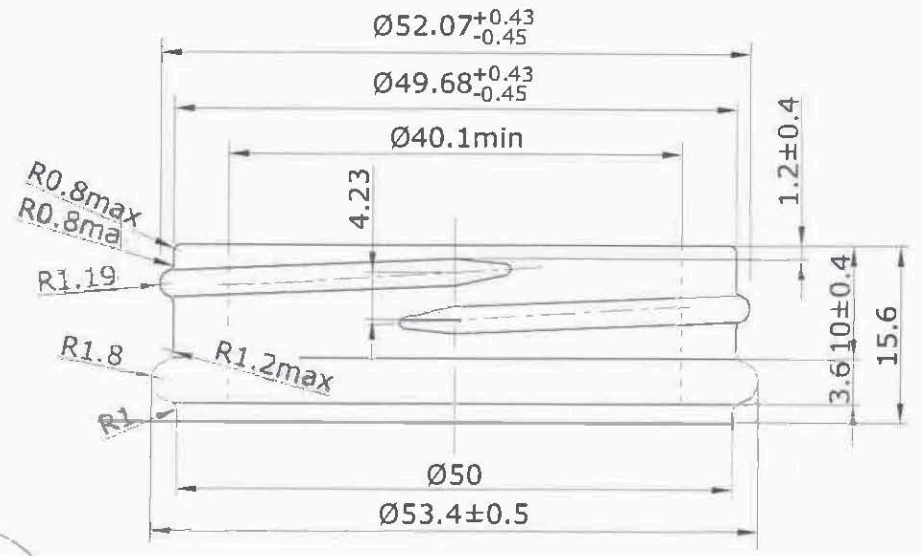
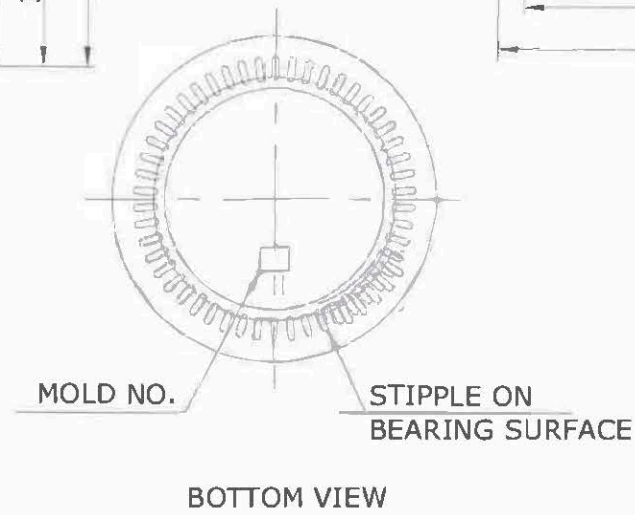
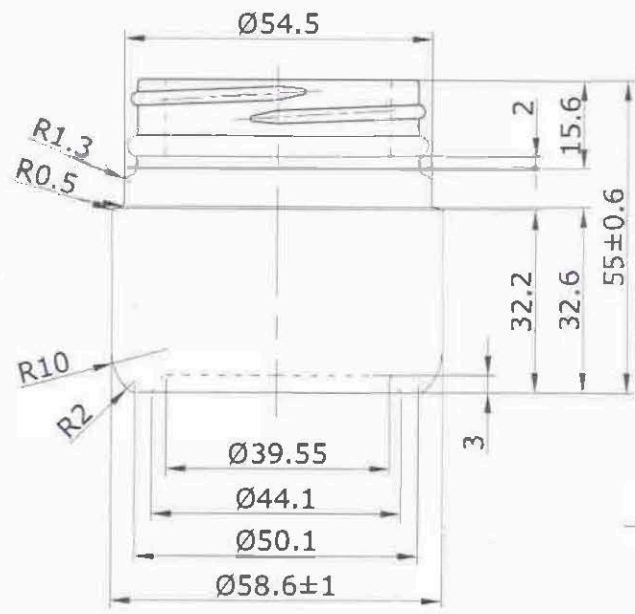
WE HAVE A **PRODUCT** FOR YOU

Part #: 30WBJ3



The
CARYCOMPANY
Est. 1895

1195 W. Fullerton Ave. | Addison, IL 60101 | T: 630.629.6600 | F: 630.629.3690 |



S / 2:1
 GPI 53mm-400
 FINISH DETAIL

				Drawing NO.		
F.P. Capacity		Drawn		08/21/2018	Drawing Name	90ml ROUND
O.F. Capacity	90±5ml	Checked			The CARY COMPANY <small>Est. 1895</small>	
WEIGHT	94±5g	Approved				