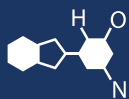


# IF YOU...



MIX IT. FILL IT. PACK IT. SHIP IT.

# WE HAVE A **PRODUCT** FOR YOU

Part #: 30WBJ4

---

---

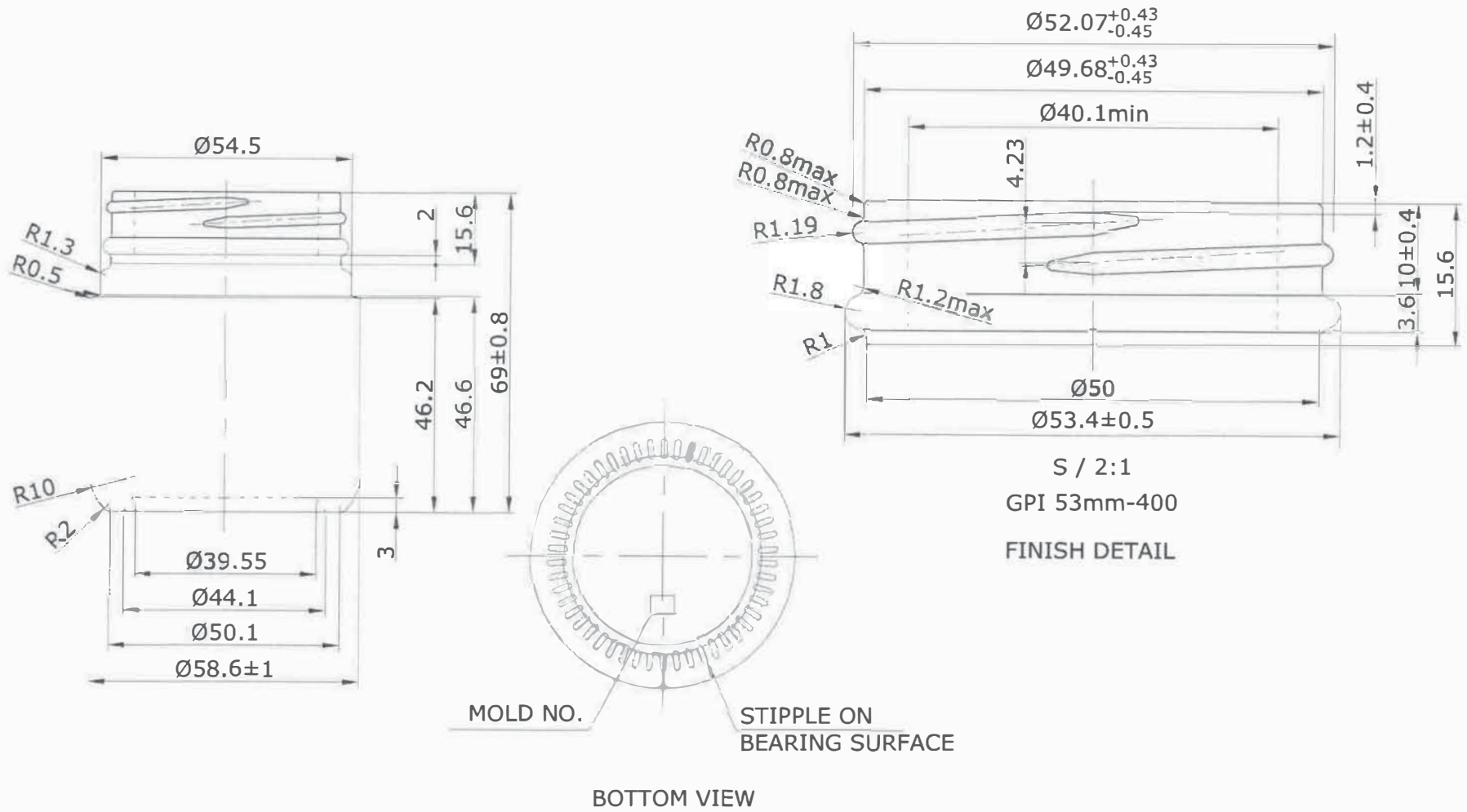


---

The  
**CARY**COMPANY  
Est. 1895

1195 W. Fullerton Ave. | Addison, IL 60101 | T: 630.629.6600 | F: 630.629.3690 |

*Jose*



				Drawing NO.		
F.P. Capacity		Drawn		08/21/2018	Drawing Name	120ml ROUND
O.F. Capacity	120±5ml	Checked			<b>The CARY COMPANY</b> <small>Est. 1895</small>	
WEIGHT	113±7g	Approved				