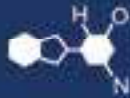


IF YOU...



MIX IT. FILL IT. PACK IT. SHIP IT.

WE HAVE A **PRODUCT** FOR YOU

Part #: 30WBR1

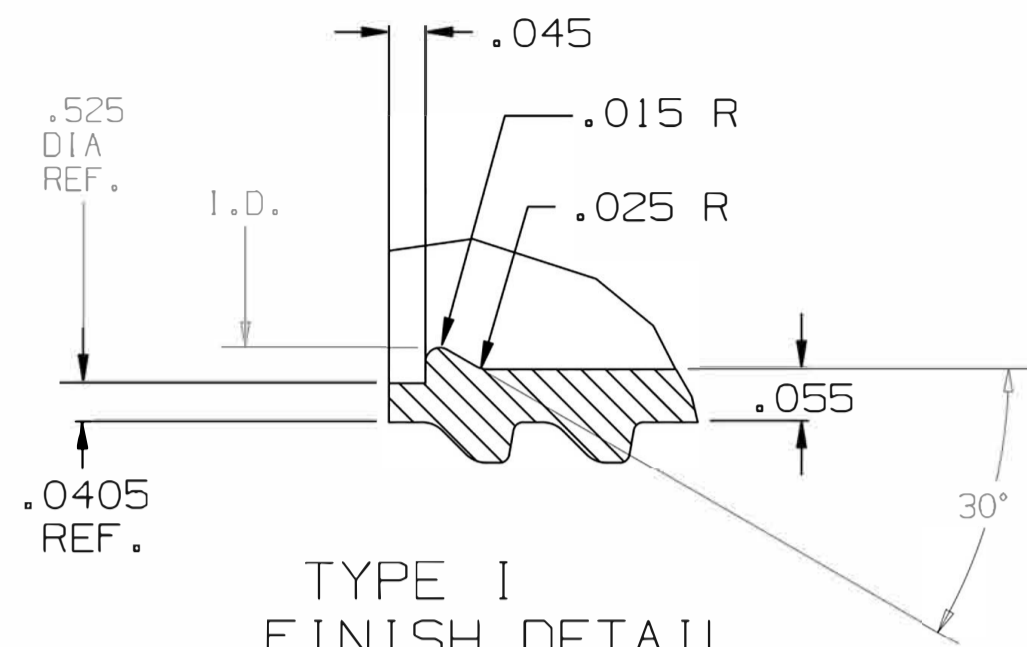
Boston Round Plastic Bottles

1 oz. Natural LDPE Plastic Boston Round Bottle,
18mm 18-410

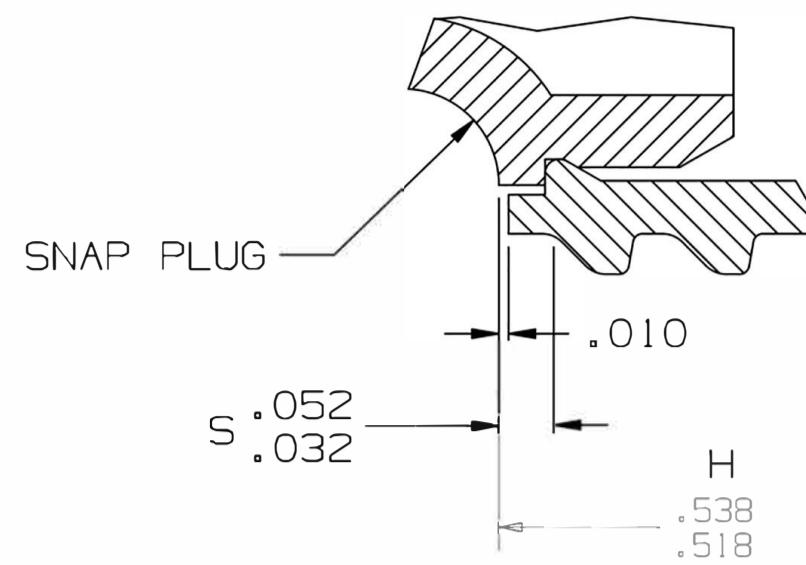


The
CARYCOMPANY
Est. 1895

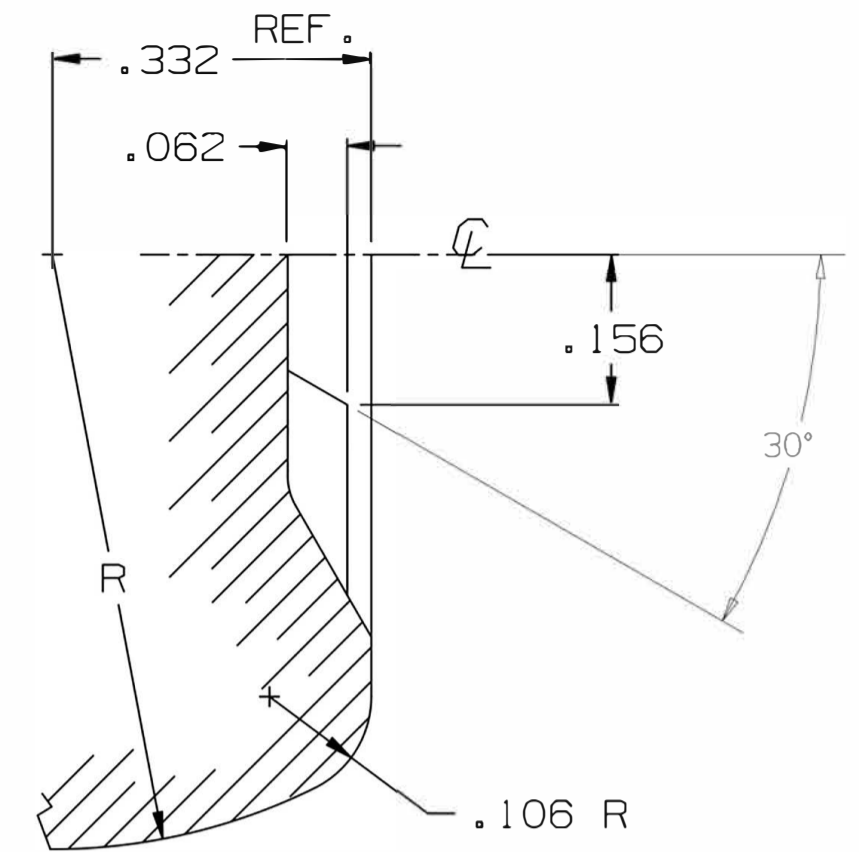
1195 W. Fullerton Ave. | Addison, IL 60101 | T: 630.629.6600 | F: 630.629.3690 |



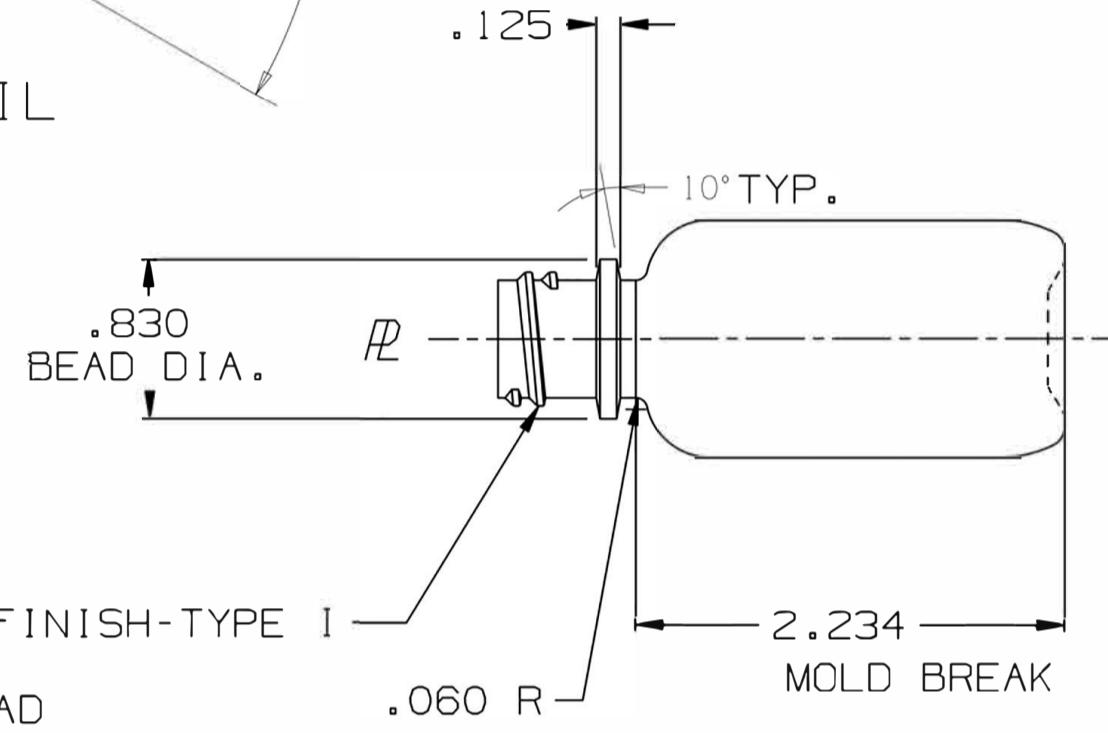
TYPE I
FINISH DETAIL
SCALE 5:1



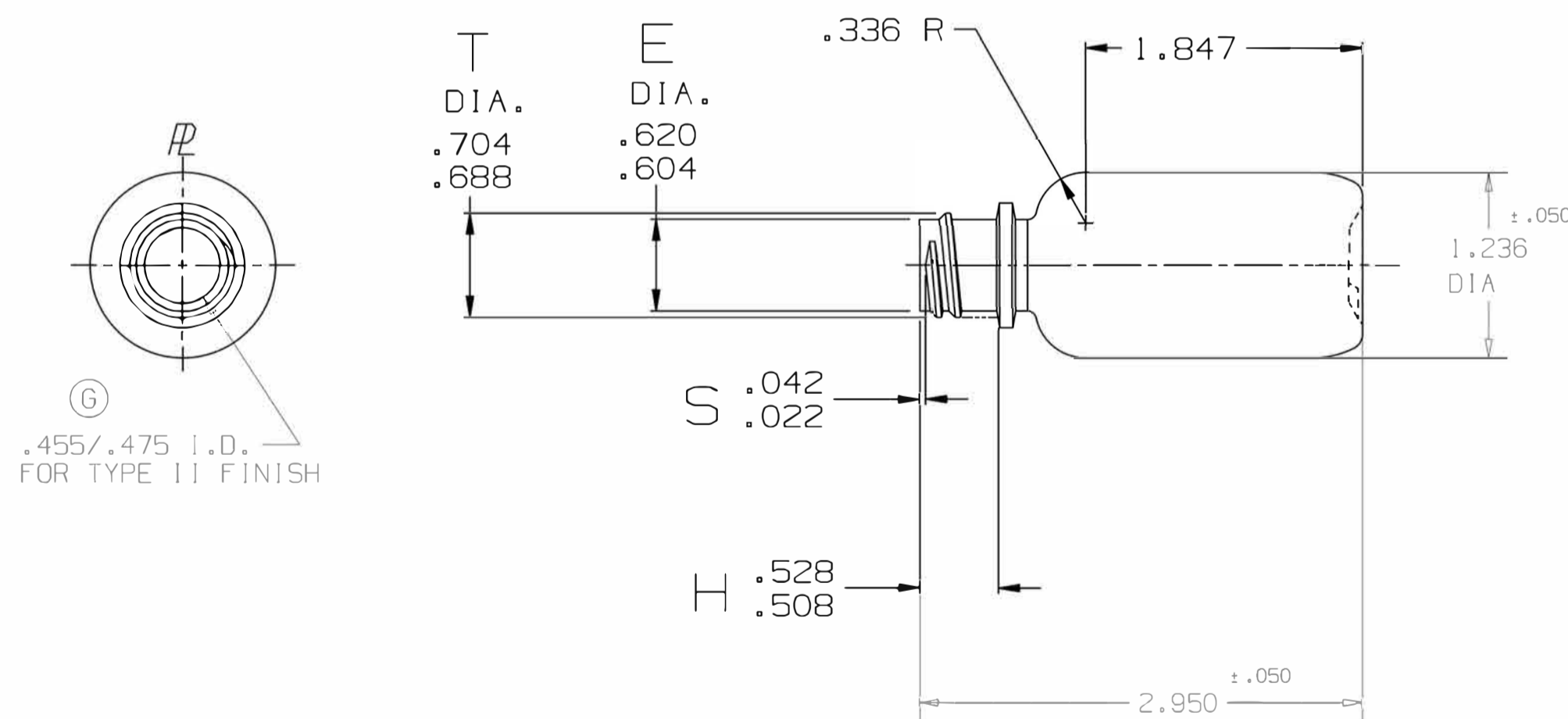
TYPE II
FINISH DETAIL
SCALE 5:1



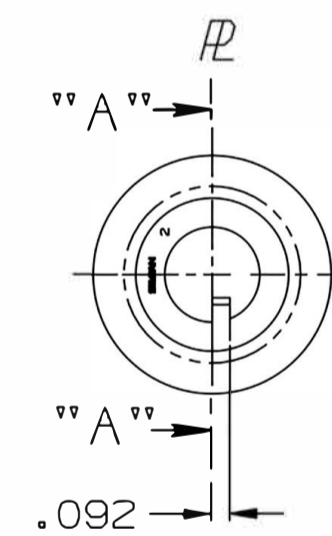
SECTION A-A
SCALE 5:1



M18-SP410 FINISH-TYPE I
OR TYPE II
SPECIAL BEAD



Ⓒ
.455/.475 I.D.
FOR TYPE II FINISH



- NOTES :
- OVERFLOW CAPACITY : 1.27 ± .08 FL.OZ. (37.7 ± 2.5 CC'S.)
 - WEIGHT : 7.3 ± 0.5 GRAMS
 - T, E & I.D. ARE AN AVERAGE OF TWO MEASUREMENTS TAKEN 90° APART.

MAP TD26-1721
MAB TD26-1725
TOOL CHART

DIMENSIONS SHOWN ARE:
 AS MOLDED AFTER TREAT
 AFTER TREAT & DECO

(H) (J)

DRAWN BY JOE	MATERIAL LDPE	CUSTOMER
DATE 6/28/73	QUOTE NO. -	DESCRIPTION 1 FL. OZ. BOSTON ROUND
DWG. SIZE C	LABEL DWG. NO. P-00907-07	
INFO. -	REF. DWG. NO. MC9-7271-E	The CARY COMPANY Est. 1895
CAD UG	TOOLING NO. SEE CHART	
SCALE FULL	CODE NO. LIM-61323	DRAWING NO. MC-9-7271-J
	SURF. AREA -	

REVISIONS

LTR	DESCRIPTION	DATE	BY
G	REVISED I.D.; UPDATED	19JUN12	KENT
H	CORRECTED MATERIAL	12NOV12	KENT
J	ADDED LABEL P-00907-07	27JUL17	MKR