

IF YOU...



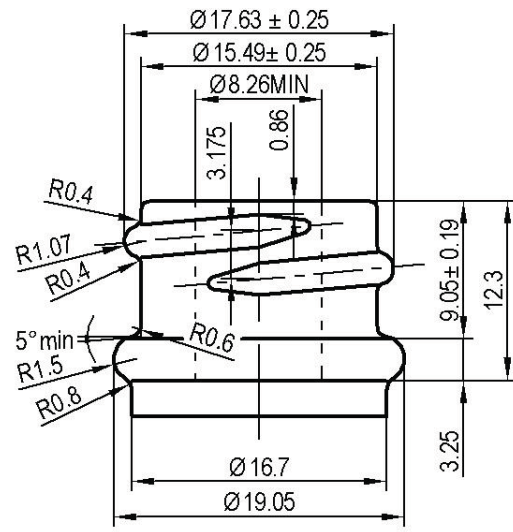
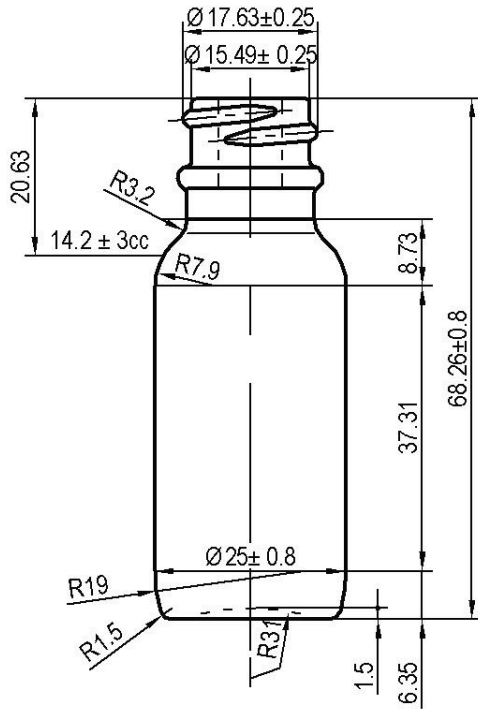
MIX IT. FILL IT. PACK IT. SHIP IT.

WE HAVE A PRODUCT FOR YOU

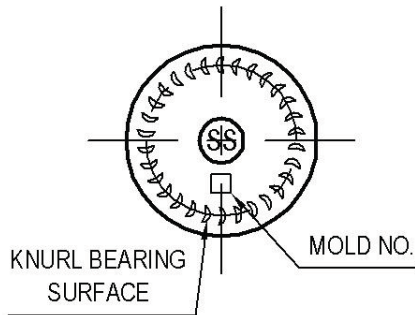


Product Category: Glass Boston Round Bottles

Part #	30WBR5
Capacity	1/2 oz.
Color	Amber
Material	Glass
Dimensions	0.984" Dia. x 2.688"H
Neck Finish	18-400
Neck Width	18mm
Case Pack	540
Pallet Pack	21,600 ea. (40 Cases)
Industries	Pharmaceutical



S/2:1



Nominal Capacity	14.2cc	Drawn	Jingsheng		Drawing Name	1/2oz	Scale
			Date	2006-01-06			
O. F. Capacity	16.4 ±3cc	Checked			Material	Amber Glass	
			Date				
Weight	25.5 ±6.5g	Approved					
			Date				