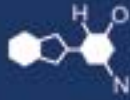


# IF YOU...



MIX IT. FILL IT. PACK IT. SHIP IT.

# WE HAVE A **PRODUCT** FOR YOU

Part #: 30WBS6

---

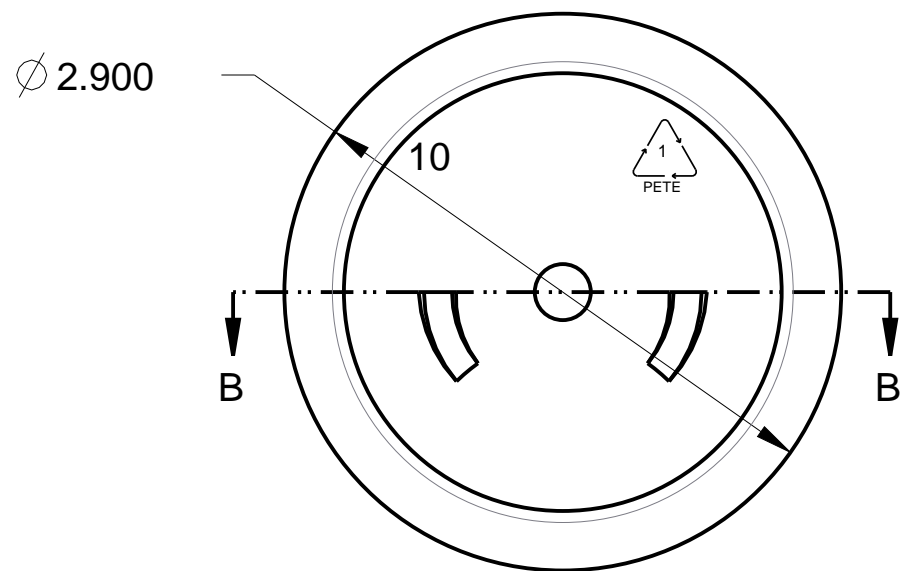
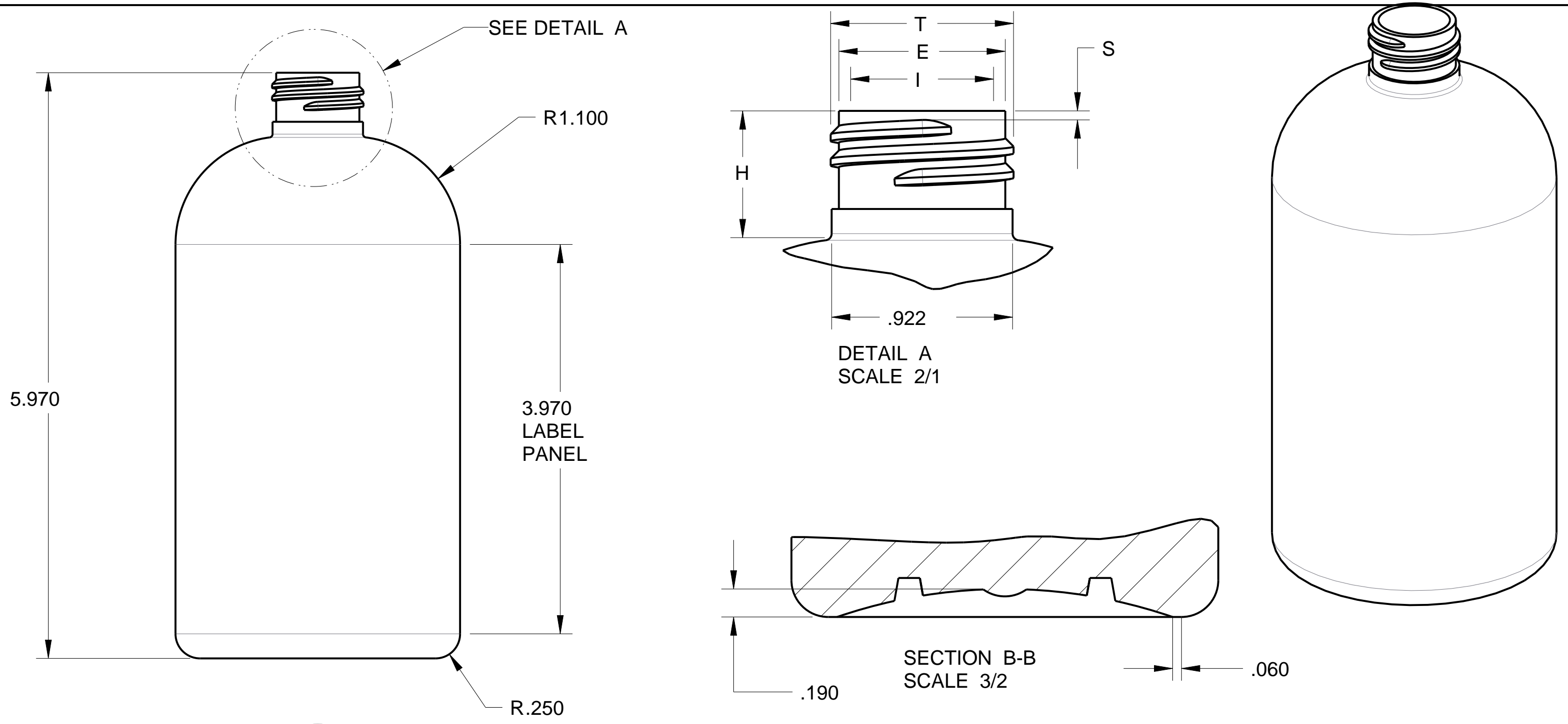
---



---

The  
**CARY**COMPANY  
Est. 1895

1195 W. Fullerton Ave. | Addison, IL 60101 | T: 630.629.6600 | F: 630.629.3690 |



Neck Finish: M24SP410		DISCLAIMER: The Cary Company assumes no responsibility for form, fit and function of closures, accessories, and/or shelf life and compatability of intended contents with this bottle.					
All measurements are in inches, [Metric]	Min Thk	Color	Weight	Std. Pack	Revisions		The <b>CARY COMPANY</b> Est. 1895
	.010	All Colors	32.5 Gms ± 3	160, Stack	A	WT TOL INCR'D (1), S.BYRNE 19-MAY-14	
Neck Dimensions:					Tolerance: Where not shown Decimal ± 0.05 [1,27] Angular ± 1°		Scale: 1/1
T = .932±	.008				Material: <b>PET</b>		Drawn By: SCT
E = .848±	.008						Date: 11/30/04
H = .646±	.015						DwgRev
I = .516 MIN							16oz BOSTON ROUND, SQUAT, PET, 24-410 CT
S = .046±	.015						Approved By: S Jenn
Overflow Capacity: 523 ml ± 11						Drawing NO: 30WBS6	