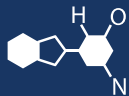


# IF YOU...



MIX IT. FILL IT. PACK IT. SHIP IT.

# WE HAVE A **PRODUCT** FOR YOU

Part #: 30WC03

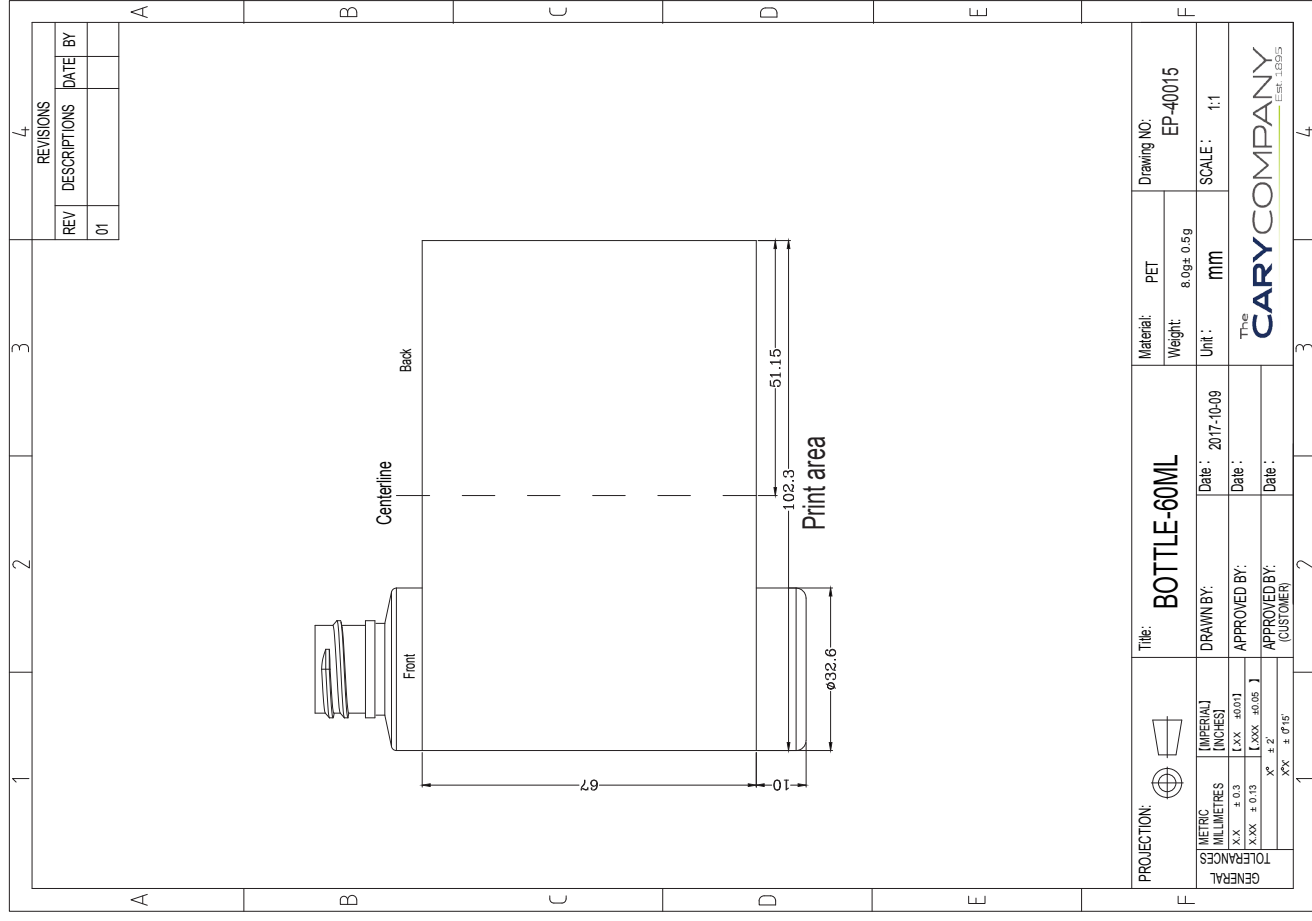
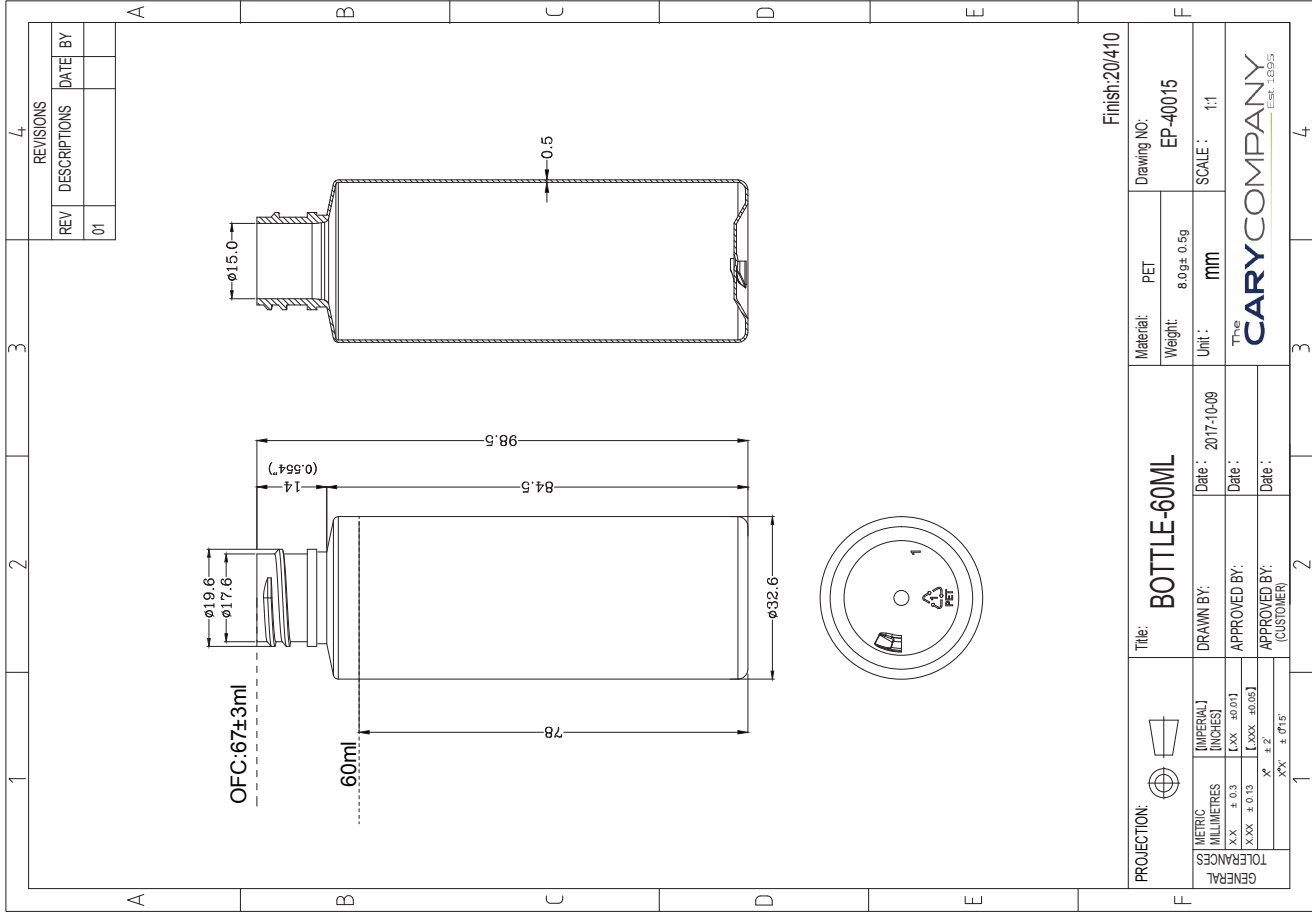
Plastic Cylinder Bottles

2 oz. Clear PET Plastic Cylinder Bottle,  
20mm 20-410



The  
**CARY**COMPANY  
Est. 1895

1195 W. Fullerton Ave. | Addison, IL 60101 | T: 630.629.6600 | F: 630.629.3690 |



PROJECTION:		Title:	Material: PET		Drawing NO:
			Weight: 8.0g±0.5g		
METRIC MILLIMETRES XX ± 0.3 XXX ± 0.13	[IMPERIAL] [INCHES] [XX ± 0.01] [XX ± 0.3 [XXX ± 0.05 ]	Date:	Unit: mm		SCALE: 1:1
			Date: 2017-10-09		
GENERAL TOLERANCES		Date:	Date: 2017-10-09		The CARY COMPANY EST. 1995
			Date:		
		Date:			
		Date:			

PROJECTION:		Title:	Material: PET		Drawing NO:
			Weight: 8.0g±0.5g		
METRIC MILLIMETRES XX ± 0.3 XXX ± 0.13	[IMPERIAL] [INCHES] [XX ± 0.01] [XX ± 0.3 [XXX ± 0.05 ]	Date:	Unit: mm		SCALE: 1:1
			Date: 2017-10-09		
GENERAL TOLERANCES		Date:	Date: 2017-10-09		The CARY COMPANY EST. 1995
			Date:		
		Date:			
		Date:			