

# IF YOU...



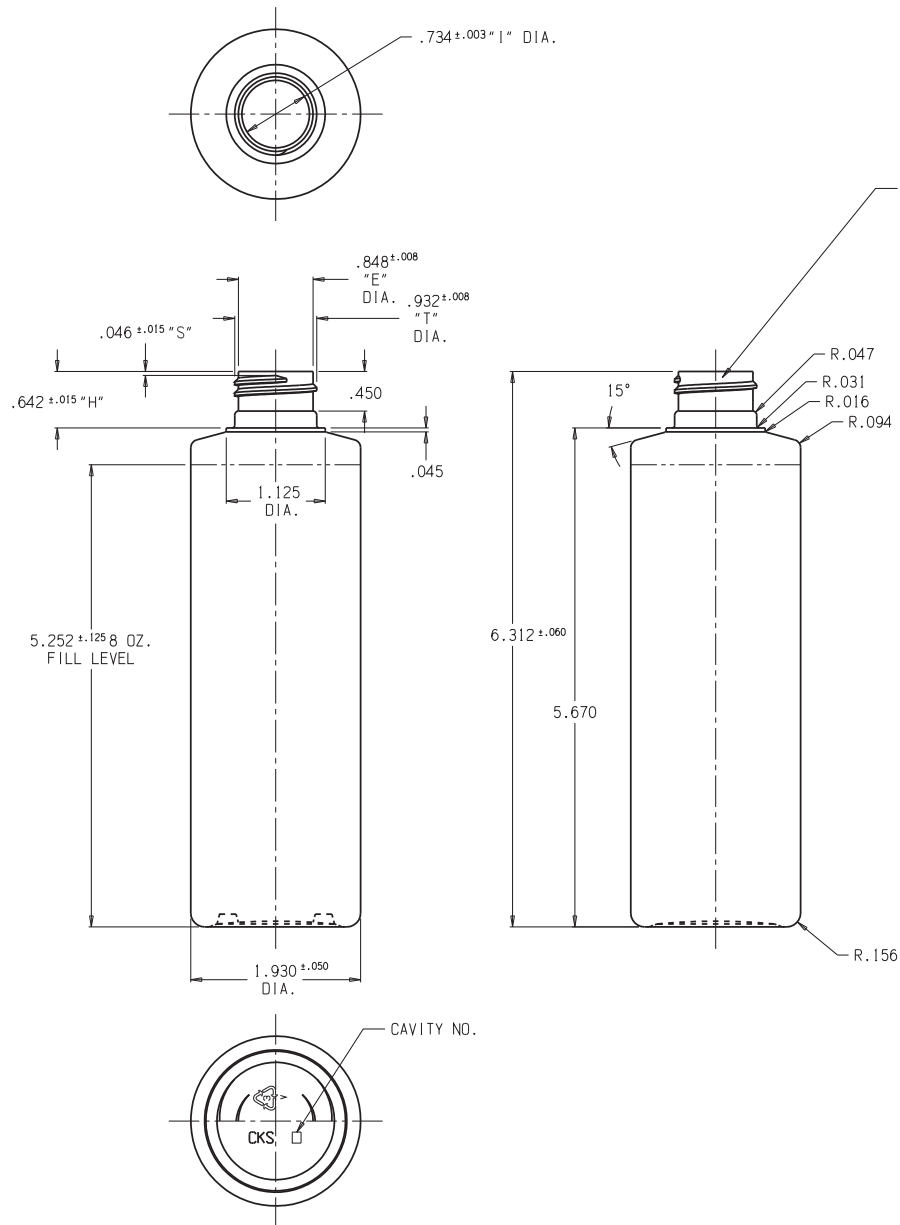
MIX IT. FILL IT. PACK IT. SHIP IT.

# WE HAVE A PRODUCT FOR YOU



Part #	30WC08
Capacity	8 oz.
Overflow Capacity	647.7 ml. (21.9 oz.)
Color	Clear
Material	PVC
Dimensions	1.93" Dia. x 5.252"H
Neck Finish	24-410
Neck Width	24mm
BPA Free	Yes
FDA Approved	Yes
Case Pack	390 ea.
Pallet Pack	6,240 ea. (16 Cases)





NECK FINISH:  
M24SP400 SPECIAL  
MODIFIED BUTTRESS THREADS  
8 THREADS PER INCH  
1-1/2 TURNS OF FULL THREAD

NOTES:

1. FULL SCALE
2. STANDARD SPI TOLERANCES APPLY
3. MATERIAL : PVC
4. ESTIMATED BOTTLE WEIGHT =  $21 \pm 1$  GRAMS
5. OVERFLOW CAPACITY =  $257 \pm 7$  CC  
=  $8.69 \pm .24$  FL. OZ.

BOS	BY	Supplied By: <b>The Cary Company</b> Ph: 630-629-6600 www.thecarycompany.com			
06.09.11	DATE	TITLE <b>8 OZ. CYLINDER</b>			
CORRECTED RECYCLE CODE DID SAY HDPE & 2 *1" DIA. WAS .768	REVISIONS	FOR			
		RESIN	MACHINE		
		DRAWING SIZE C	COMP. FILE 7259-S	SHEET 1 OF 1	
		TO BE RUN BY:			
		SHRINK	DIA.	HT	NECK
CHK BY	W. HEIMKE	DATE 1-20-05	ENG. NO.	REV	
A	LTR	DRAWN BY B. STOCKTON	DATE 1-20-05	7259-S A	