

# IF YOU...

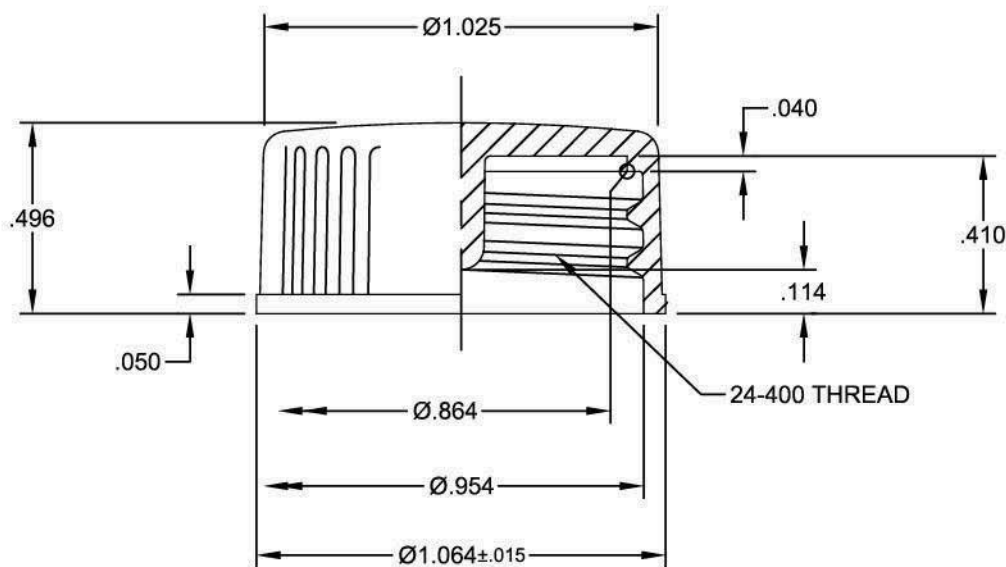
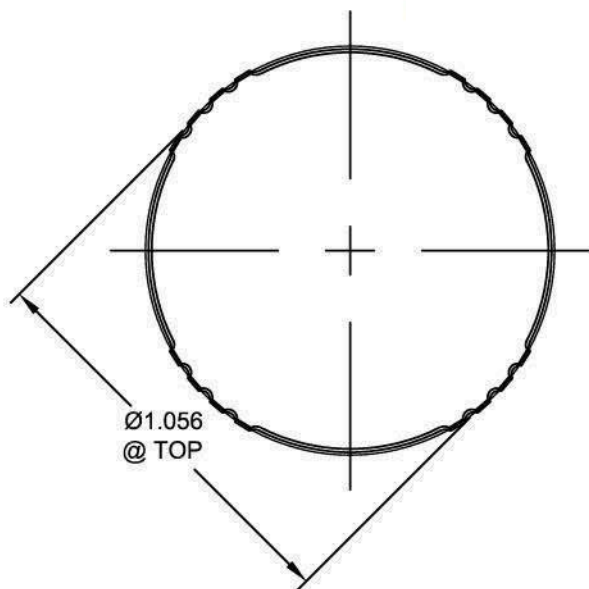


MIX IT. FILL IT. PACK IT. SHIP IT.


# WE HAVE A PRODUCT FOR YOU



Part #	30WC24
Neck Width	24mm
Neck Finish	24-400
Color	Black
Material	PP
Case Pack	3,000 ea.
Pallet Pack	144,000 ea. (48 Cases)
FDA Approved	Yes
BPA Free	Yes



OLD DWG. No. PS 76109-B

DATE	SYM	REVISION RECORD	DR.	CK.	TOLERANCES (EXCEPT AS NOTED)	 <b>Supplied By: The Cary Company</b> Ph: 630-629-6600 www.thecarycompany.com	MAT'L <b>PHENOLIC/UREA</b>	SCALE <b>2:1</b>	DRAWN BY <b>TEF</b> APP. BY
7/94	A	.954 WAS .950	WC		DECIMAL				
12/95	B	1.064Ø WAS 1.074Ø	TF		2 PL ± N/A				
2/99	C	CHANGED TITLE: 24-400 PCPS/NC WAS	GHB		3 PL ± .010				
2/99	C	24-400 PC PS CAP	GHB		4 PL ± N/A				
2/99	C	23489998 WAS PS 76109-B	GHB		FRACTIONAL				
					± N/A	TITLE	<b>24-400 PCPS/NC</b>		
					ANGULAR	DATE			
					± N/A	<b>06/2/76</b>			