

# IF YOU...



MIX IT. FILL IT. PACK IT. SHIP IT.

# WE HAVE A **PRODUCT** FOR YOU

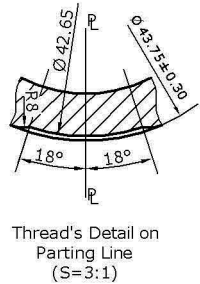
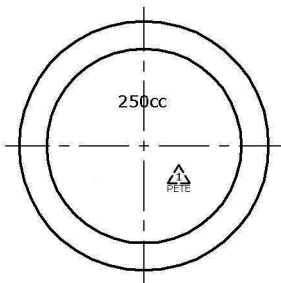
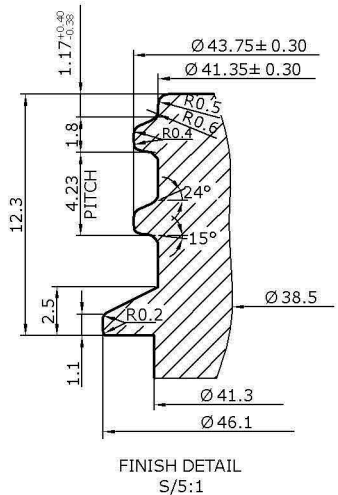
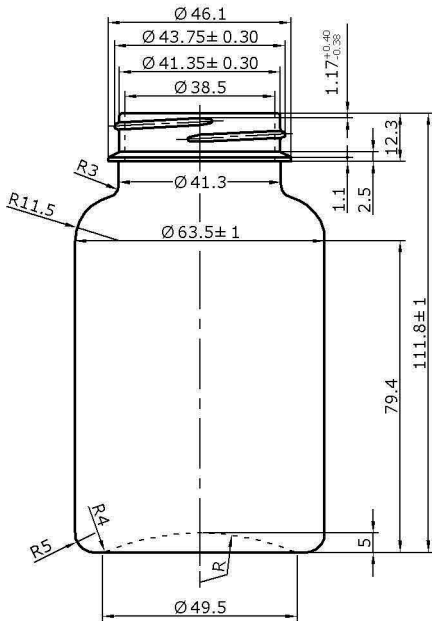
Part # 30WC25

---

8 oz. (250 cc) Clear PET Plastic Packer Bottle,  
45mm 45-400

---





F. P. Capacity	250ml	Drawn	Jingsheng		Drawing Name	250CC	Scale
			Date	2006-10-09			
O. F. Capacity	280 $\pm$ 7ml	Checked			Material	PET	
			Date				
Weight	30 $\pm$ 1g	Approved			The <b>CARY COMPANY</b>		Est. 1895
			Date				