

# IF YOU...



MIX IT. FILL IT. PACK IT. SHIP IT.

# WE HAVE A PRODUCT FOR YOU

Part #: 30WC26

---

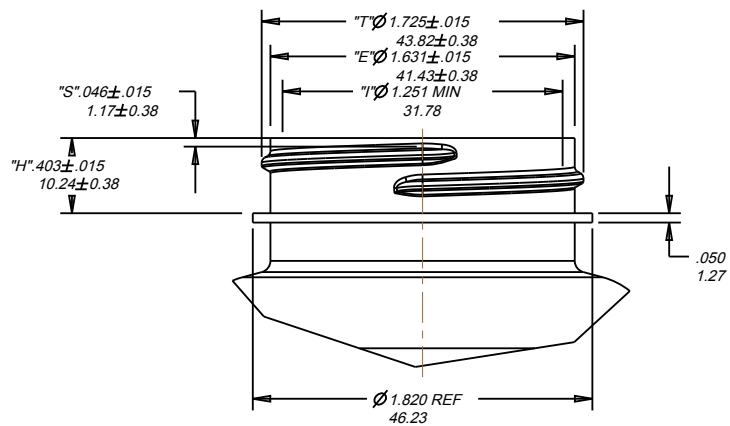
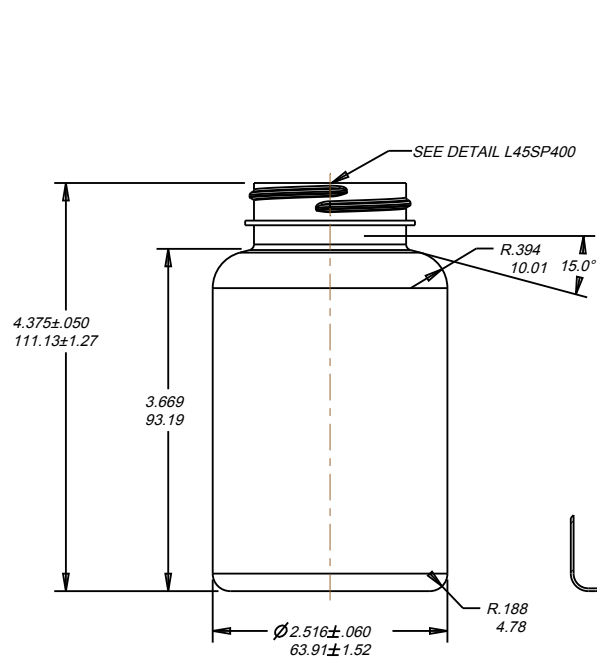
---



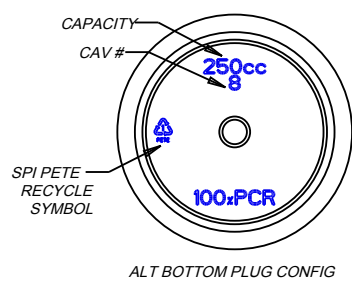
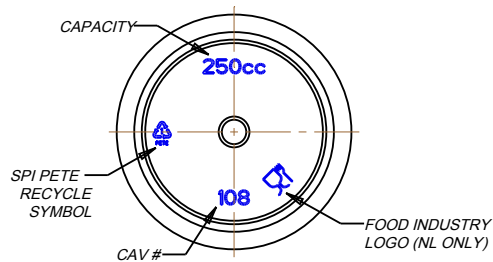
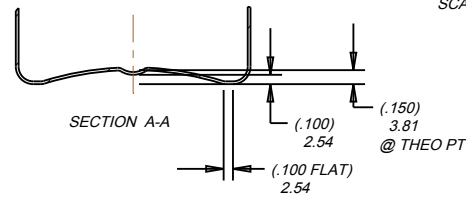
---

The  
**CARY**COMPANY  
Est. 1895

1195 W. Fullerton Ave. | Addison, IL 60101 | T: 630.629.6600 | F: 630.629.3690 |



DETAIL L45SP400  
6 TPI, 1 THREAD TURN  
Ø.500" CUTTER  
SCALE 2.000



NPD #		DISCLAIMER: The Cary Company assumes no responsibility for form, fit and function of closures, accessories, and/or shelf life and compatibility of intended contents with this bottle.									
All measurements are in inches, [mm]	Color	Min. Thk (in)	Weight (g)	Overflow (mL)	Revisions					The CARY COMPANY Est. 1995	
	All Colors	.012[.30]	28.0± 3.0	292± 9	L	Gm wt was 34.02-09-12.sct	Scale: 1.000 Drawn By: SCT Date: 07-25-00				
	All Colors Heavy Gram 400 P	.012[.30]	37.0± 3.0	284± 9	M	GmWt tol was ± 1.11/13/13.sct					
	All Colors Heavy Gram	.012[.30]	33.0± 3.0	288± 9	N	Add Food Logo engraving for NL 11-18-15 RAB					
Tolerance: Where not shown		NECK FINISH	L45SP400								
Decimal ±0.05 [1.27] Angular ±1°		MATERIAL:	PET				Approved By: Drawing NO.		SJ 250PS1XX45L400		