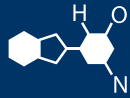


IF YOU...



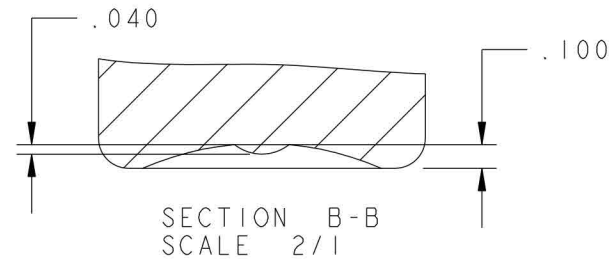
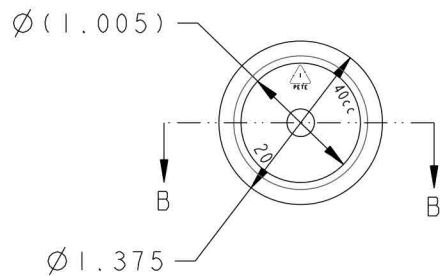
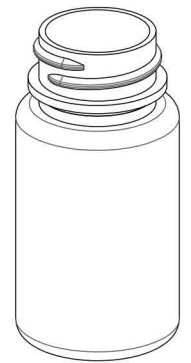
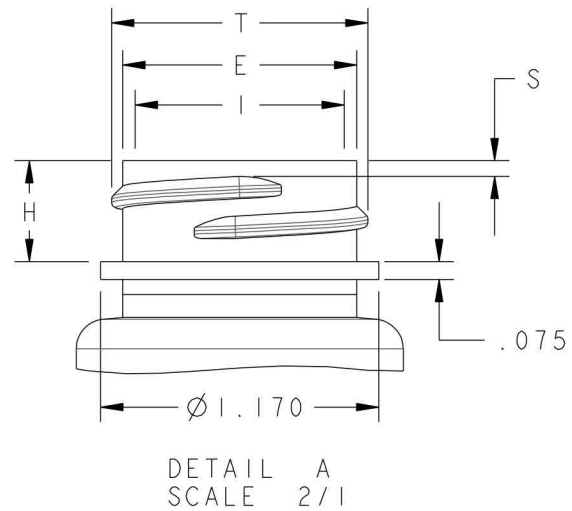
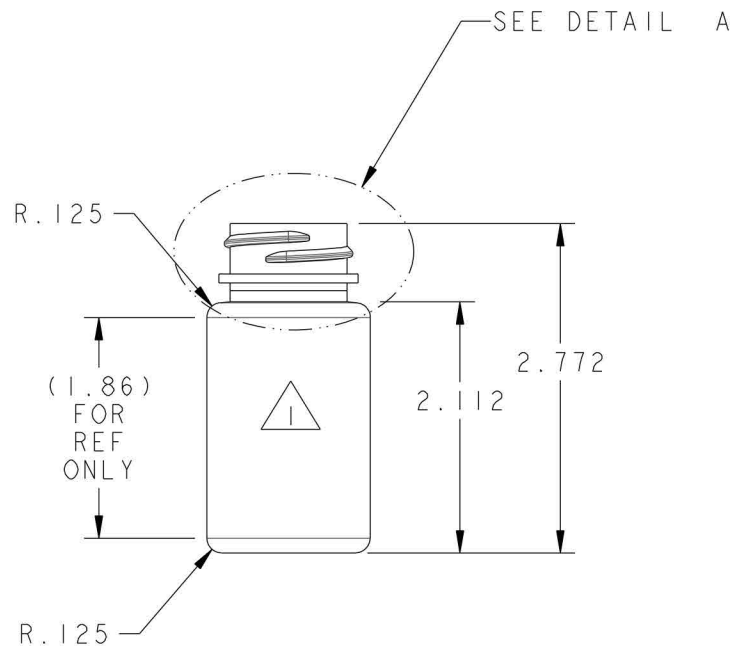
MIX IT. FILL IT. PACK IT. SHIP IT.

WE HAVE A **PRODUCT** FOR YOU

Part # 30WC40

1.5 oz. (40 cc) Clear PET Plastic Packer Bottle,
28mm 28-400





 MIN THK = .016 AT PANEL MIDPOINT

| | | | | | | | |
|---|---------|------------|-----------|--|-----------------------------|--|---|
| Neck Finish: M28SP400 Special | | | | | | | |
| All measurements are in inches, [Special] 'H' & 'S' Dimensions | Min Thk | Color | Weight | Std. Pack | Revisions | | The CARY COMPANY Est. 1895 |
| | .010 | All Colors | 9.6 Gms±1 | 700, Bulk | A Add flagnote.10/17/11.sct | | |
| Neck Dimensions: T = 1.078±.008 E = .984±.008 H = .425±.015 I = .614 MIN S = .066±.015 | | | | Tolerance: Where not shown Decimal ±0.05 [1,2,7] Angular ±1° | | Scale: _____ Drawn By: SCT Date: 09-17-04 | |
| Overflow Capacity: 52 ml ± 3 | | | | Material: PET | | 40cc, STRAIGHT SIDED, PET, 28-400 CT | |
| | | | | | | Approved By: CGR Drawing NO: 40PS1XX28M400 | |

A