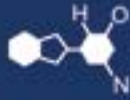


IF YOU...



MIX IT. FILL IT. PACK IT. SHIP IT.

WE HAVE A **PRODUCT** FOR YOU

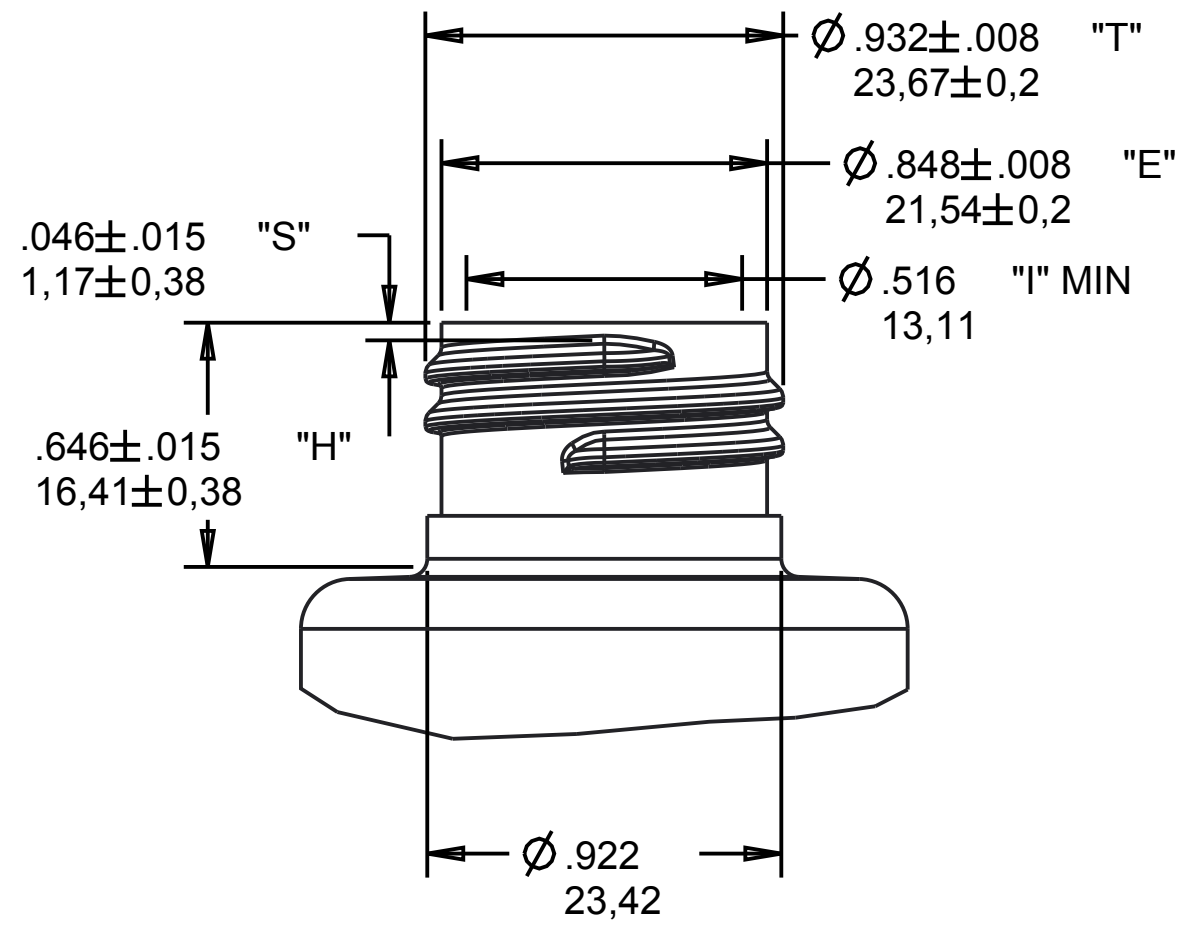
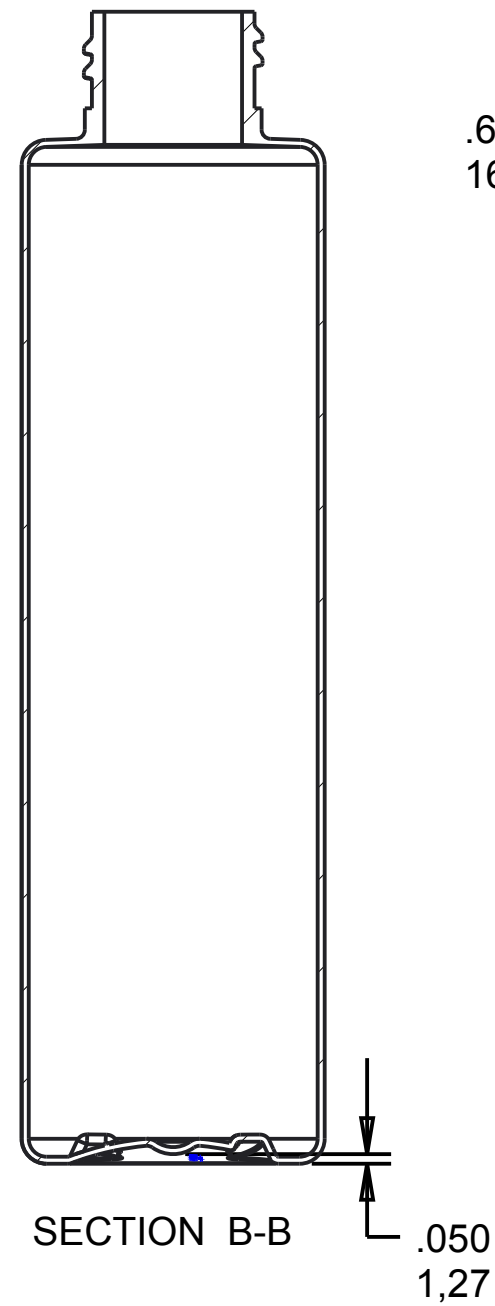
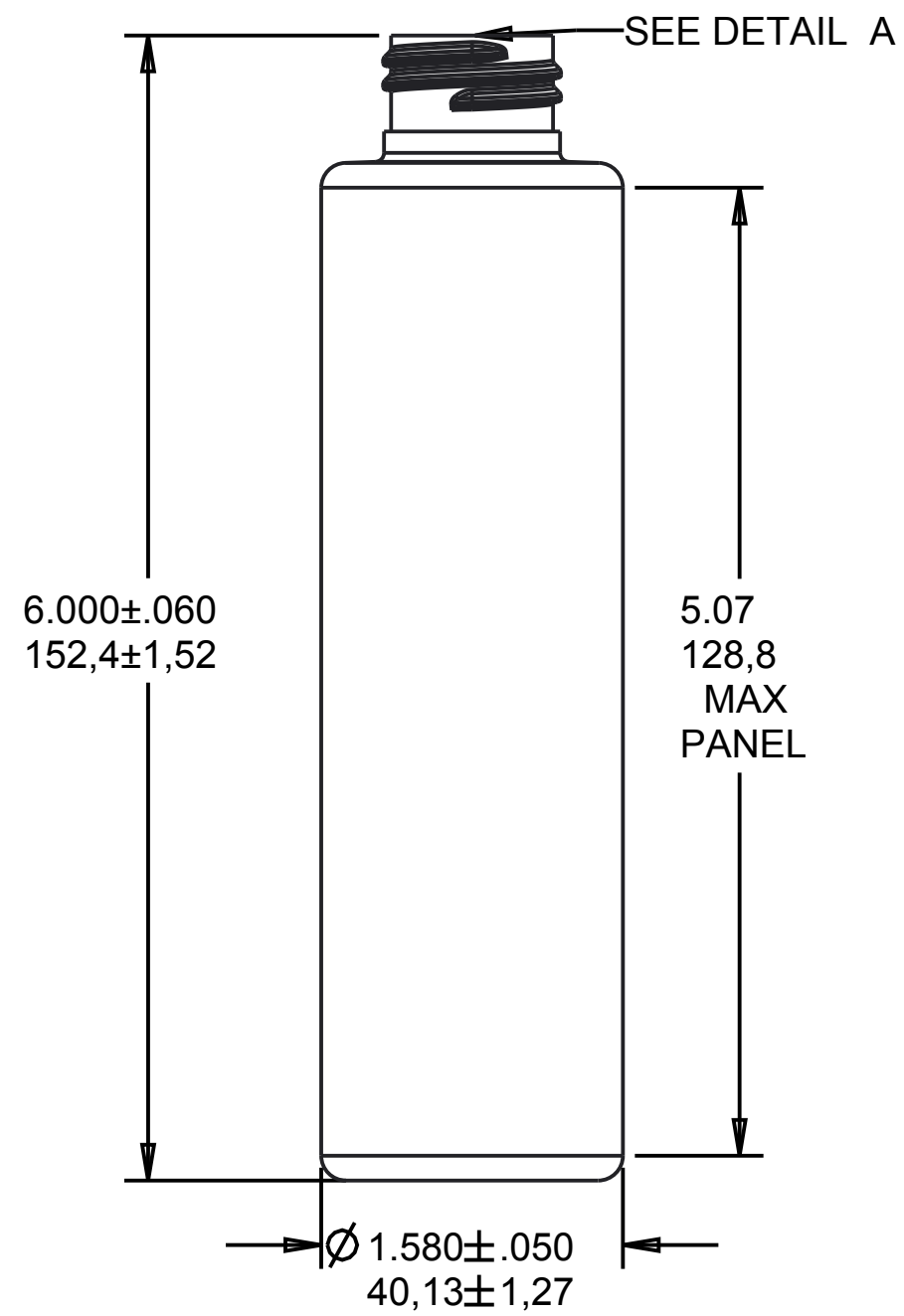
Part #: 30WC4P



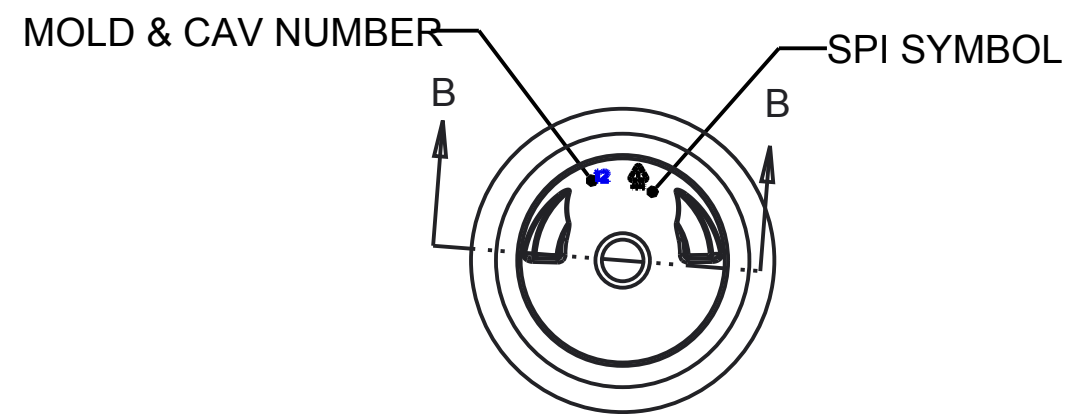
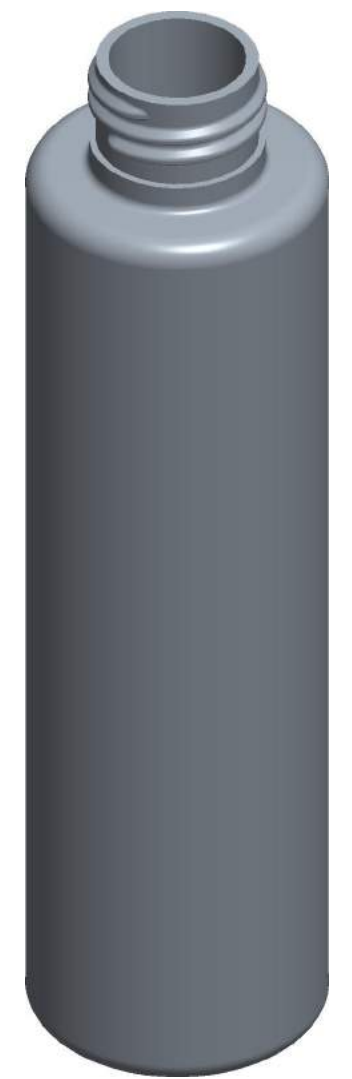
The
CARYCOMPANY
Est. 1895

1195 W. Fullerton Ave. | Addison, IL 60101 | T: 630.629.6600 | F: 630.629.3690 |

REV	E.C.N.	DESCRIPTION	BY	DATE
A	-	INCORP 125LR1UN24M10 ECF A	SCT	N/A
B	-	INCORP 125LR1SL24M410 ECF B	SCT	N/A
C	-	ADD LABEL PANEL DIM	SCT	10-FEB-06
D	-	ADD [METRIC]	SCT	16-SEP-13
E	-	WT TOLERANCE INCR'D (1)	STB	19-MAY-14
E	-	BOTTLE NAME CHANGED (125mL LIQUID ROUND) TO MATCH CATALOG NAME. DRAWING TEMPLATE REVISED TO STANDARD	STB	24-OCT-17



DETAIL A
NECK FINISH
8 TPI, 2.0 TURNS
"I" DEPTH .250 MIN
SCALE 2.000



DISCLAIMER: The Cary Company assumes no responsibility for form, fit and function of closures, accessories, and/or shelf life and compatability of intended contents with this bottle.			
Specification General:	Min. Thk (in.)	Weight (g)	Overflow (mL)
All measurements are in inches, [mm]	.010 [.25]	25.8± 3.0	158±5
Base engraving is subject to change location & size.			
Tolerance where not shown:	NECK FINISH:	M24-410 SPECIAL	
Decimal ±0,05 [1,27]	MATERIAL:	PET	
Angular ±1°			
The CARY COMPANY Est. 1895			
Scale:	NPD #:	Drawn By:	Date:
1.000	N/A	SCT	19-DEC-01
125mL CYLINDER			DwgRev
Approved By:			E
Drawing Number:			