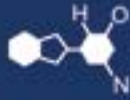


# IF YOU...



MIX IT. FILL IT. PACK IT. SHIP IT.

# WE HAVE A **PRODUCT** FOR YOU

Part #: 30WCA2

---

---

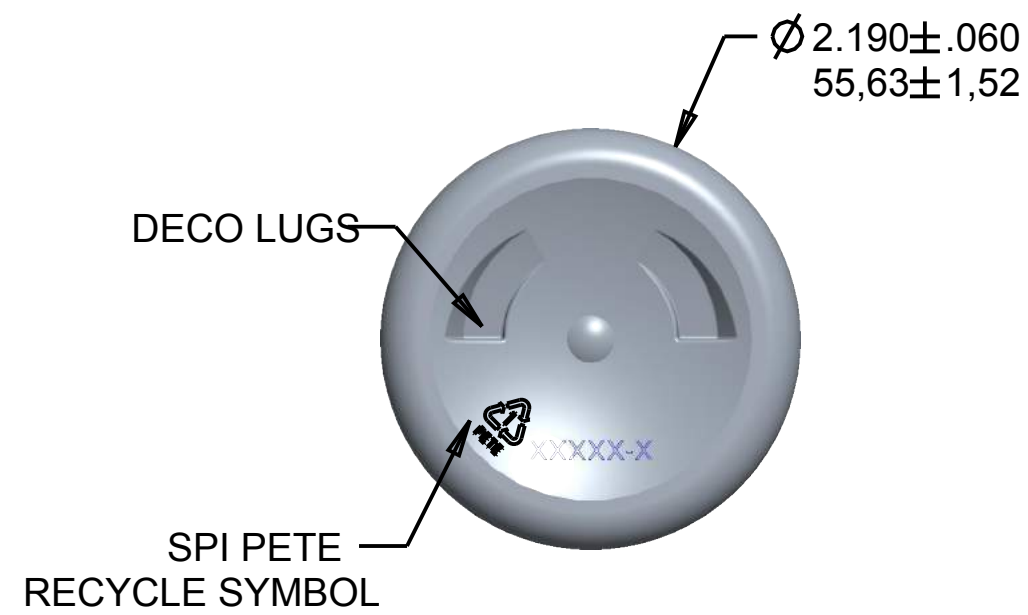
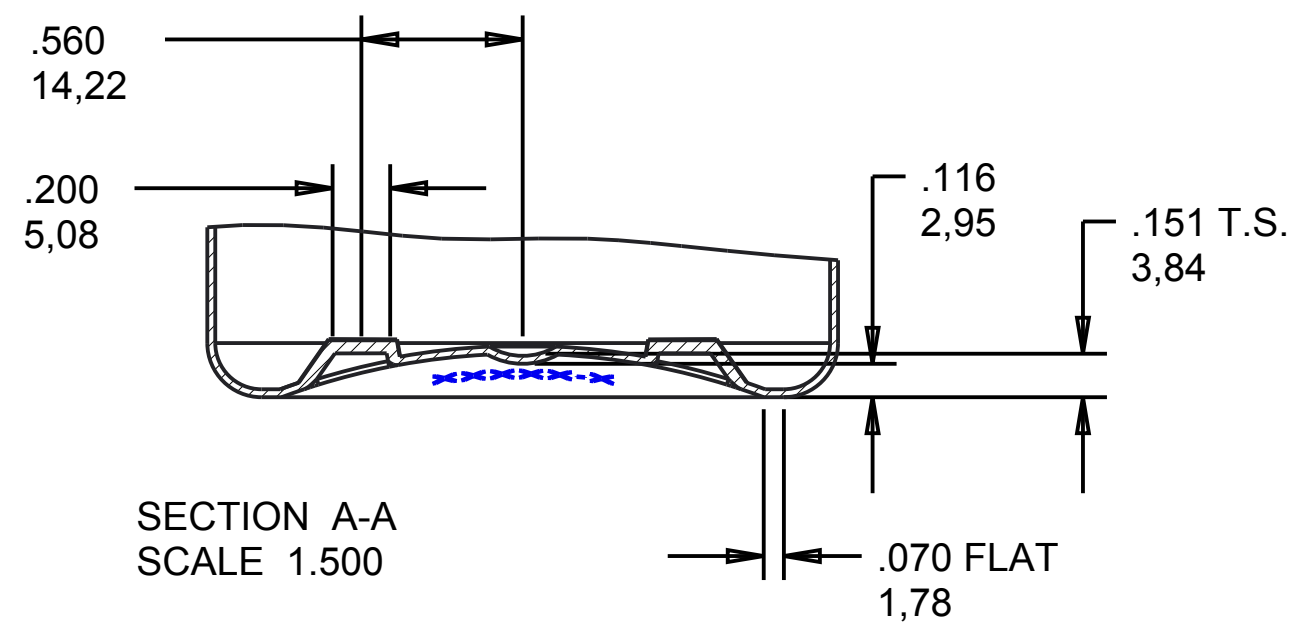
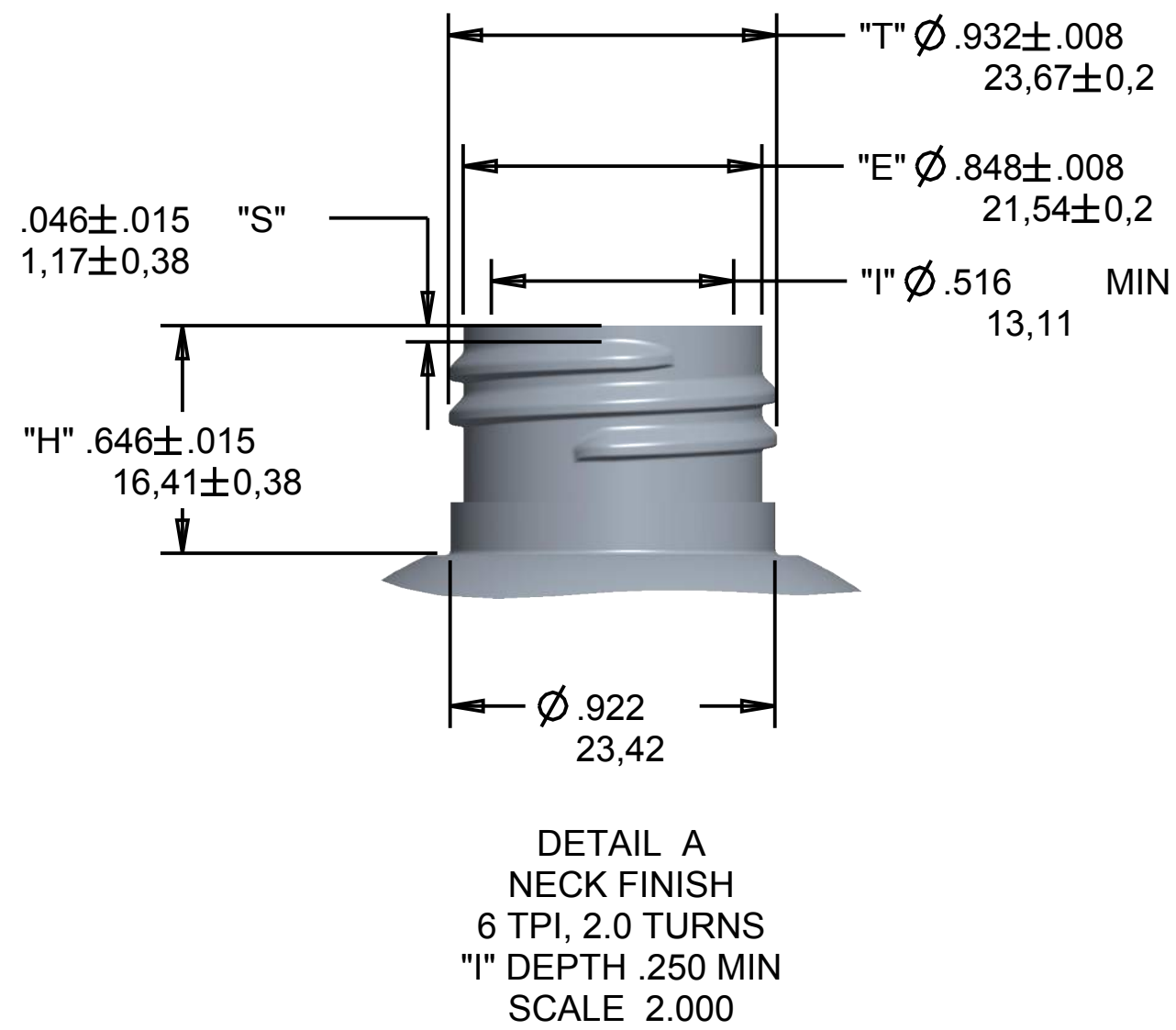
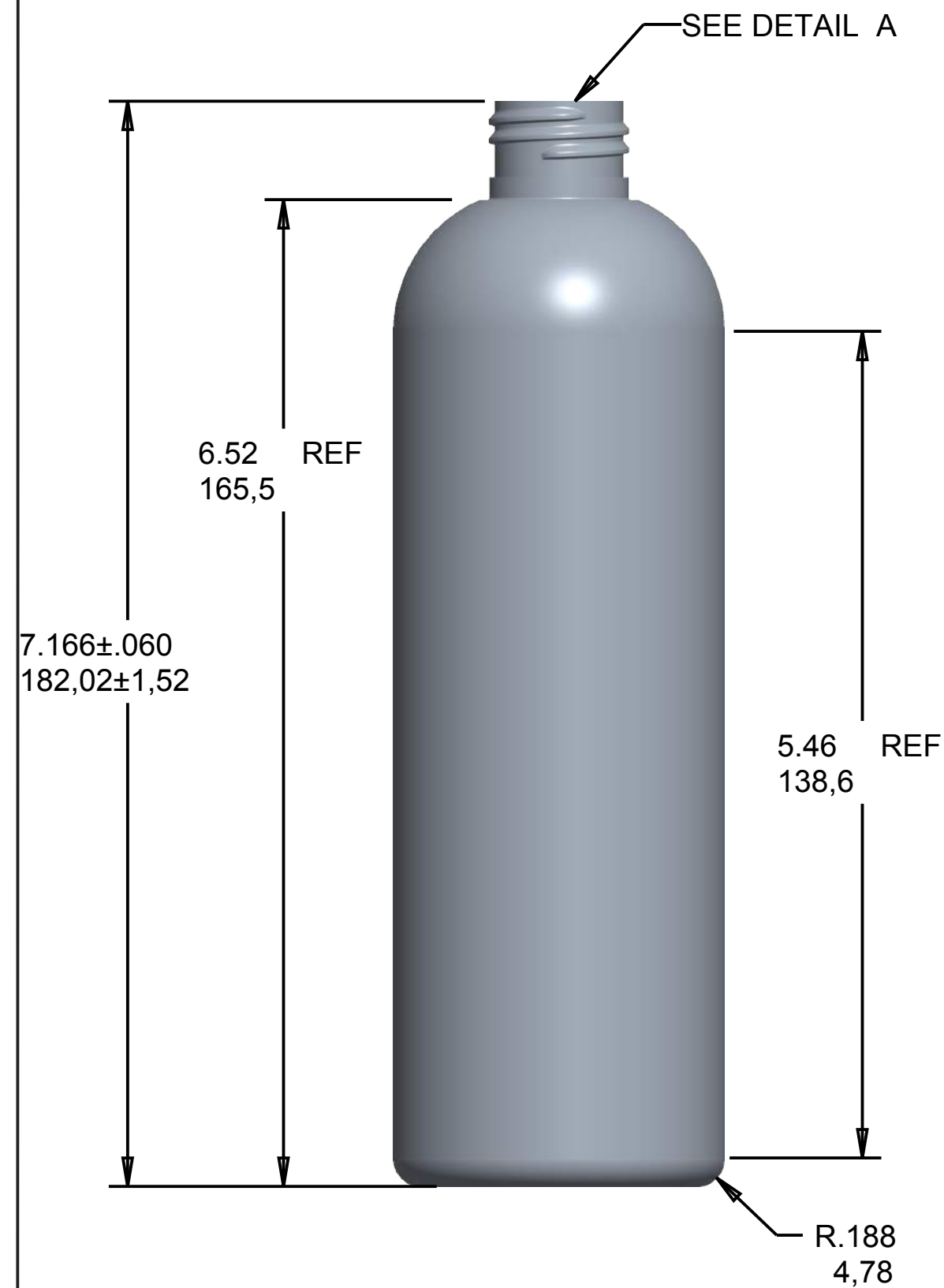


---

The  
**CARY**COMPANY  
Est. 1895

1195 W. Fullerton Ave. | Addison, IL 60101 | T: 630.629.6600 | F: 630.629.3690 |

REV	E.C.N.	DESCRIPTION	BY	DATE
-	-	ADDED FILL LINE	STB	10-OCT-17
A	190	WT TOL (+/- 1.0) INCR'D PER PCAP #20324	STB	23-JUL-18



DISCLAIMER: The Cary Company assumes no responsibility for form, fit and function of closures, accessories, and/or shelf life and compatability of intended contents with this bottle.			
Specification General:	Min. Thk (in.)	Weight (g)	Overflow (mL)
All measurements are in inches, [mm]	.012	32.5± 3.0	367±9
Base engraving is subject to change location & size.			
Tolerance where not shown:	NECK FINISH:	M24-410	
Decimal ±0,05 [1,27]	MATERIAL:	PET	
Angular ±1°			
The CARY COMPANY Est. 1895		355mL COSMO	
Scale: 1.000	NPD #: N/A	Drawn By: SCT	Date: 17-OCT-06
Approved By:		Drawing Number: P0355CYCM024B	
		DwgRev: A	