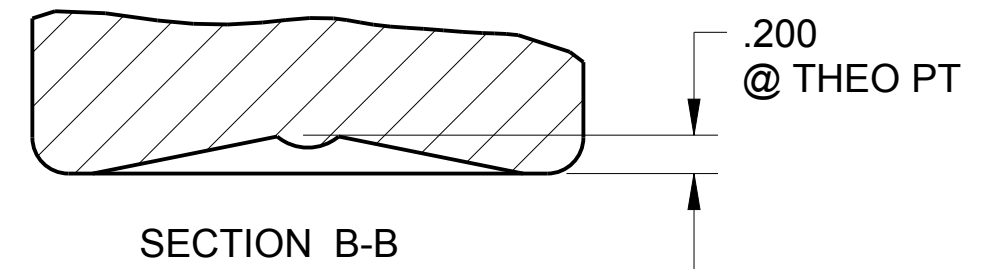
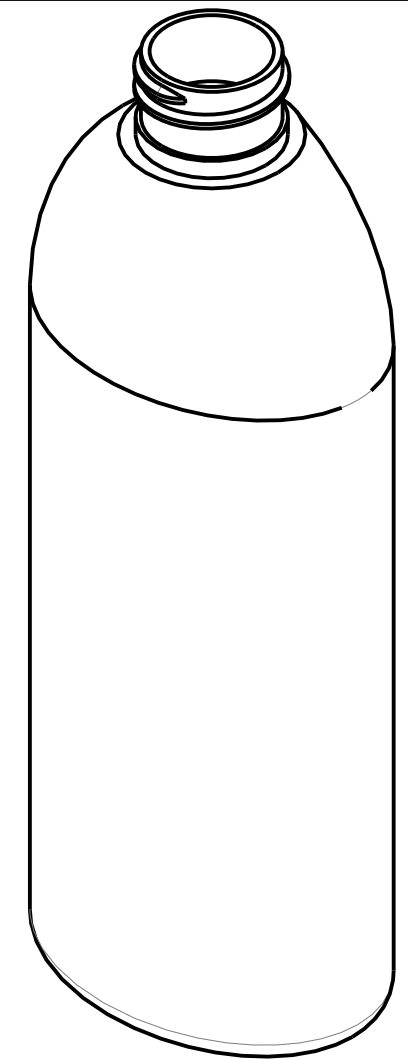
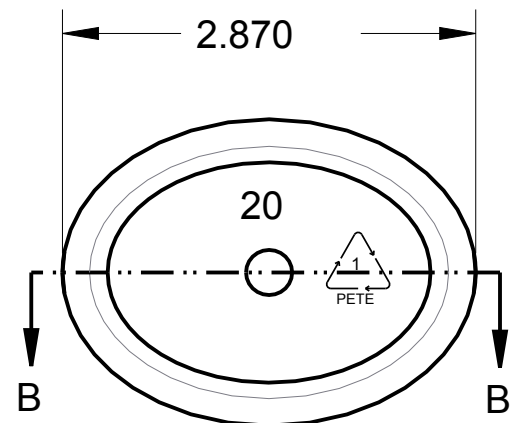


DETAIL A  
SCALE 3/2



SECTION B-B  
SCALE 1/1



Neck Finish: M28SP410		DISCLAIMER: The Cary Company assumes no responsibility for form, fit and function of closures, accessories, and/or shelf life and compatability of intended contents with this bottle.						
All measurements are in inches, [Metric]	Min Thk	Color	Weight	Std. Pack	Revisions			
	.012	All Colors	37.3 Gms ± 3	159, Stack	A	Remove Deco Lugs, 1/29/07, sct		
					B	Weight tol was ± 1.04/25/14 RAB		
Neck Dimensions:				Tolerance: Where not shown		Scale: 3/4	Drawn By: SCT	Date: 12-04-03
T = 1.078 ± .010 E = .984 ± .010 H = .708 ± .015 I = .614 MIN S = .046 ± .015				Decimal ± 0.05 [1,27] Angular ± 1°		30WCA6 16oz CAPRI OVAL, PET, 28-410 CT		DwgRev: B
Overflow Capacity: 500 ml ± 11				Material: PET		Approved By: S Jenn		Drawing NO: 16OV1CA28M410