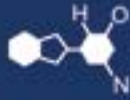


# IF YOU...



MIX IT. FILL IT. PACK IT. SHIP IT.

# WE HAVE A **PRODUCT** FOR YOU

Part #: 30WCA8

---

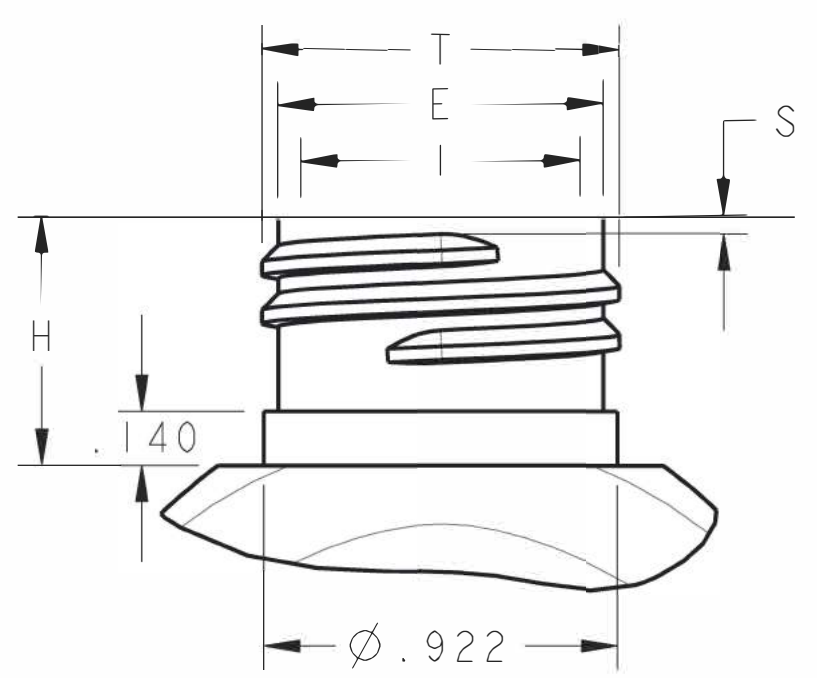
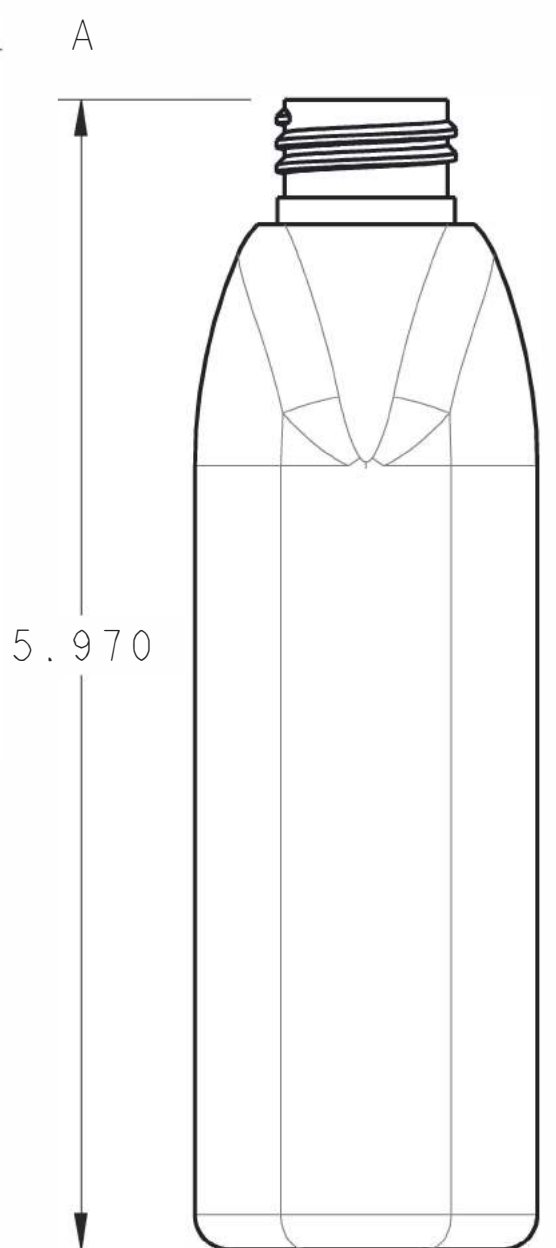
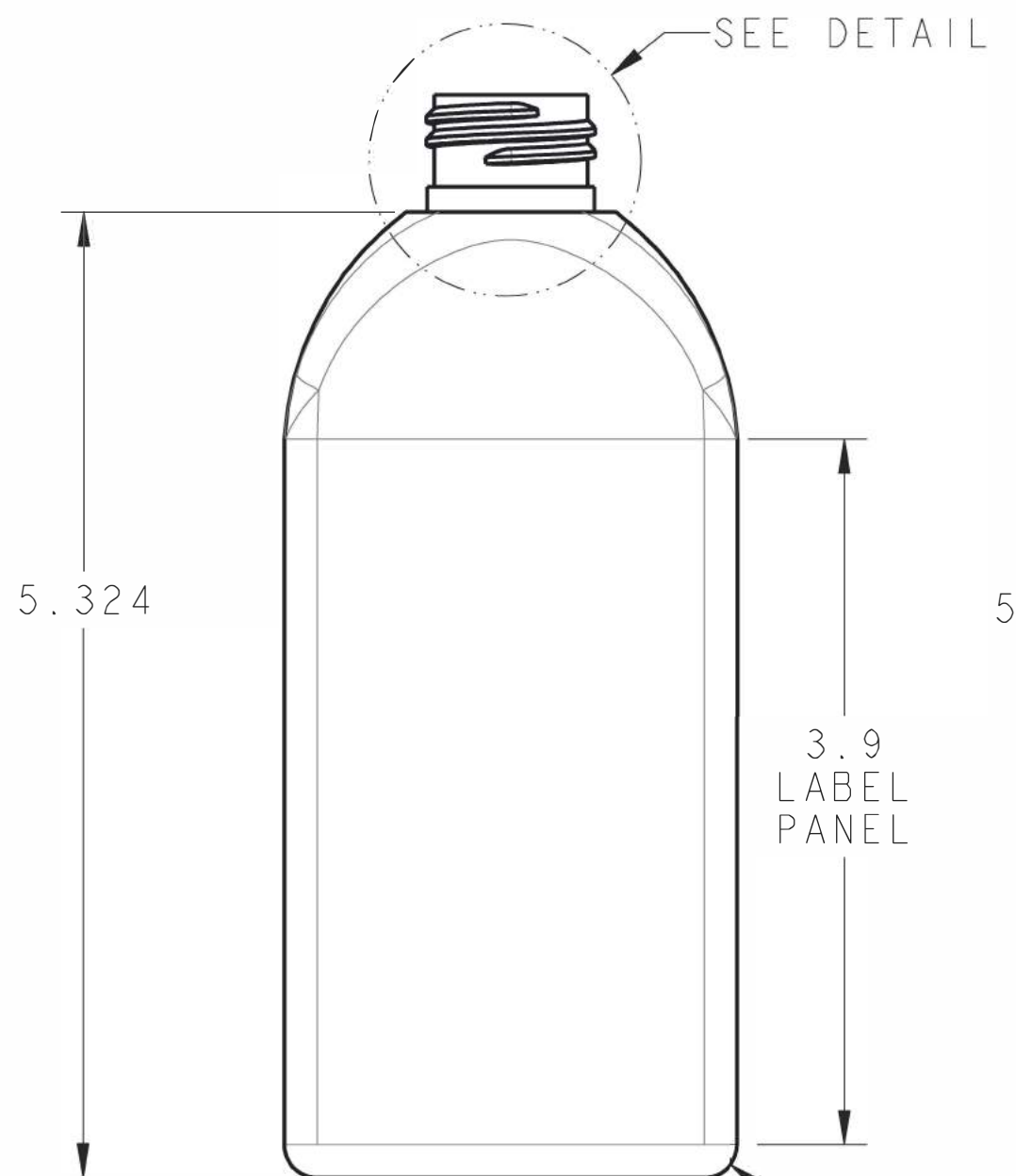
---



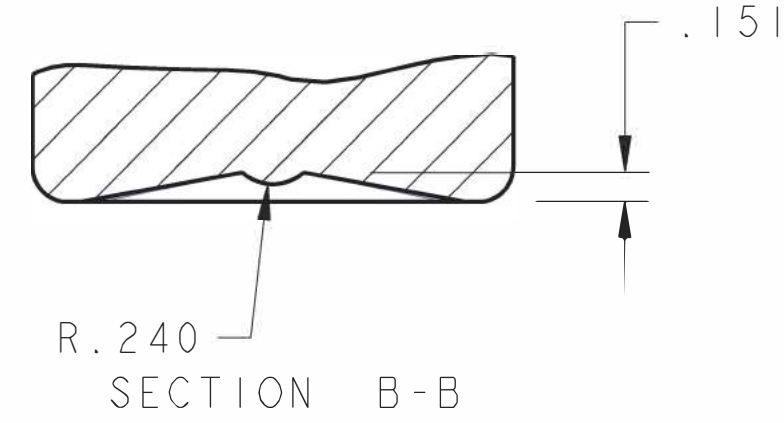
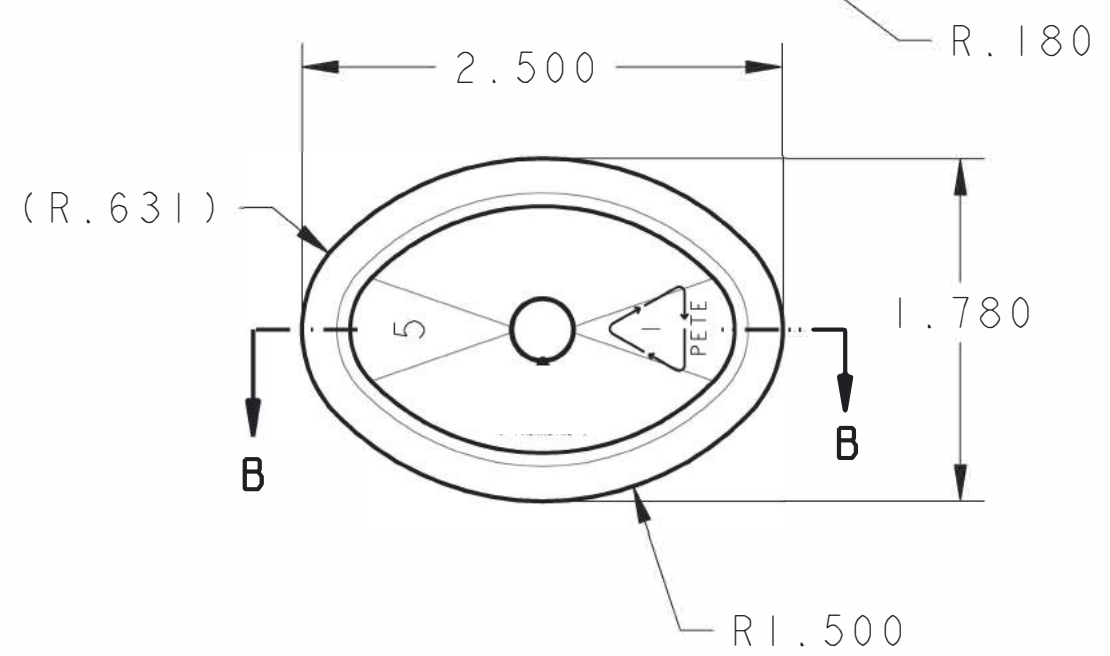
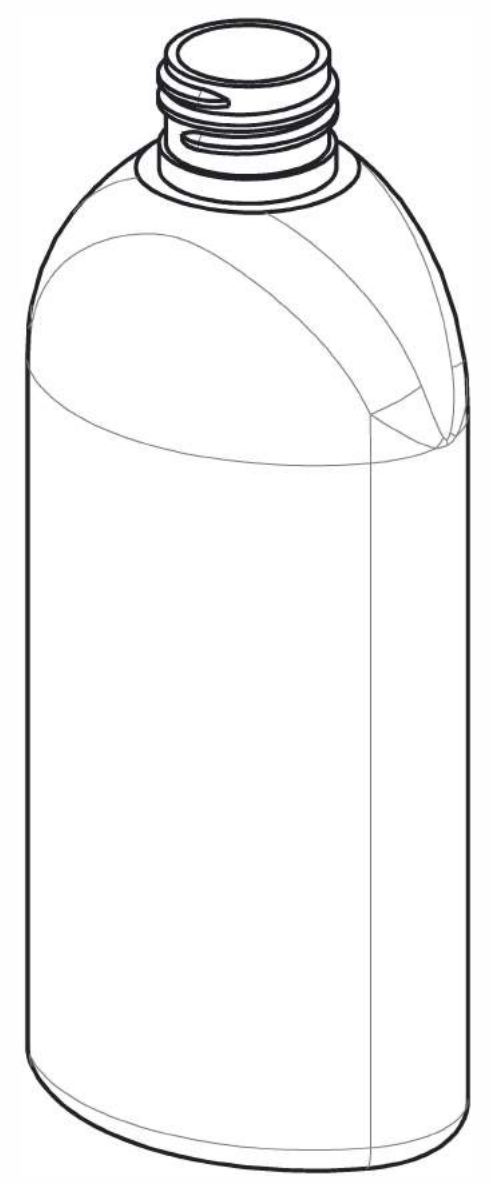
---

The  
**CARY**COMPANY  
Est. 1895

1195 W. Fullerton Ave. | Addison, IL 60101 | T: 630.629.6600 | F: 630.629.3690 |



DETAIL A  
SCALE 2/1



Neck Finish: M24SP410 SPECIAL		<b>DISCLAIMER:</b> The Cary Company assumes no responsibility for form, fit & function of closures, accessories, and/or shelf life and compatibility of intended contents with this bottle.												
All measurements are in inches, [Metric]	Min Thk	Color	Weight	Std. Pack	<table border="1"> <thead> <tr> <th colspan="2">Revisions</th> </tr> </thead> <tbody> <tr> <td>A</td> <td>WT TOL INCR'D (1), S.BYRNE 19-MAY-14</td> </tr> <tr> <td>B</td> <td>ADDED .010 MIN. WALL, 03-JAN-17</td> </tr> </tbody> </table>		Revisions		A	WT TOL INCR'D (1), S.BYRNE 19-MAY-14	B	ADDED .010 MIN. WALL, 03-JAN-17		
	Revisions													
A	WT TOL INCR'D (1), S.BYRNE 19-MAY-14													
B	ADDED .010 MIN. WALL, 03-JAN-17													
	.010	All Colors	25.8 Gms±3	324, Stack	<table border="1"> <tr> <td>Scale: 1/1</td> <td>Drawn By: SCT</td> <td>Date: 12-13-01</td> </tr> </table>		Scale: 1/1	Drawn By: SCT	Date: 12-13-01					
Scale: 1/1	Drawn By: SCT	Date: 12-13-01												
Neck Dimensions:		Tolerance: Where not shown Decimal ±0.05 [1,27] Angular ±1° Material: PET			<table border="1"> <tr> <td colspan="2">The <b>CARY COMPANY</b> Est. 1895</td> </tr> <tr> <td colspan="2">8oz CAPRI OVAL, PET, 24-410 CT</td> </tr> <tr> <td>Approved By:</td> <td>Drawing NO:</td> </tr> <tr> <td>S Jenn</td> <td>30WCA8</td> </tr> </table>		The <b>CARY COMPANY</b> Est. 1895		8oz CAPRI OVAL, PET, 24-410 CT		Approved By:	Drawing NO:	S Jenn	30WCA8
The <b>CARY COMPANY</b> Est. 1895														
8oz CAPRI OVAL, PET, 24-410 CT														
Approved By:	Drawing NO:													
S Jenn	30WCA8													
T = .932±.008														
E = .848±.008														
H = .646±.015														
I = .516 MIN														
S = .046±.015														
Overflow Capacity: 269 ml ± 7														