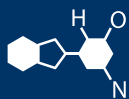


IF YOU...



MIX IT. FILL IT. PACK IT. SHIP IT.

WE HAVE A **PRODUCT** FOR YOU

Part #30WCAF

Metal Caps for Steel

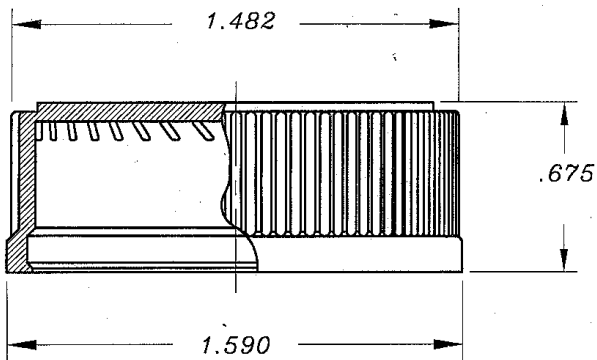
1-1/4" Alpha Child Resistant Cap w/Liner



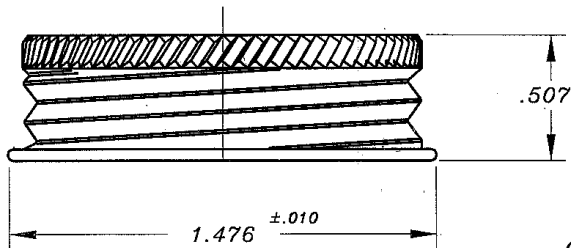
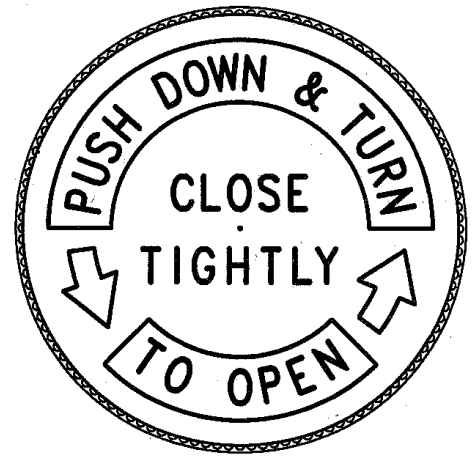
The
CARYCOMPANY
Est. 1895

TOLERANCE: $\pm .015''$

(Unless Specified)



PLASTIC
 OVERCAP



METAL
 INNERCAP

(7) Threads per Inch

1-1/4" ALPHA CAP CR

DRAWN BY : *H Romero* APPR. BY *G. Buono*

DATE : *08-3-88* DATE :

DWG. No 114-1595 REV. C