

IF YOU...



MIX IT. FILL IT. PACK IT. SHIP IT.

WE HAVE A **PRODUCT** FOR YOU

Part #30WCBF

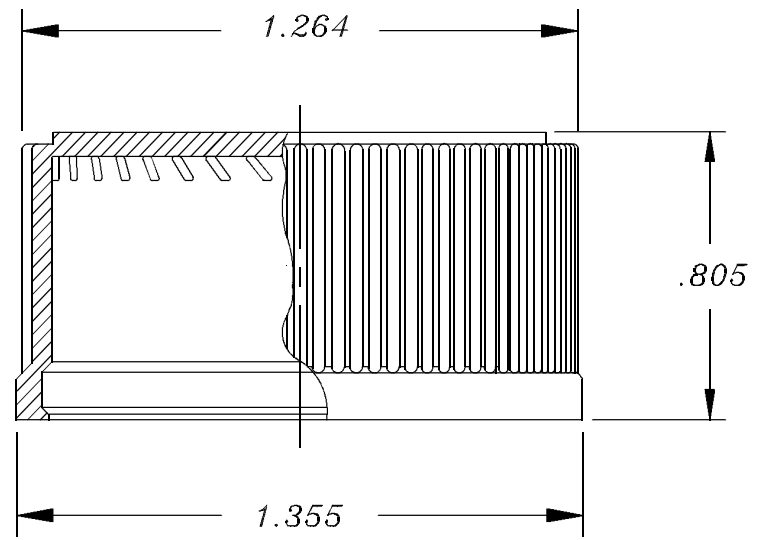
Metal Caps for Steel

1-1/8" Beta Child Resistant Cap w/Liner

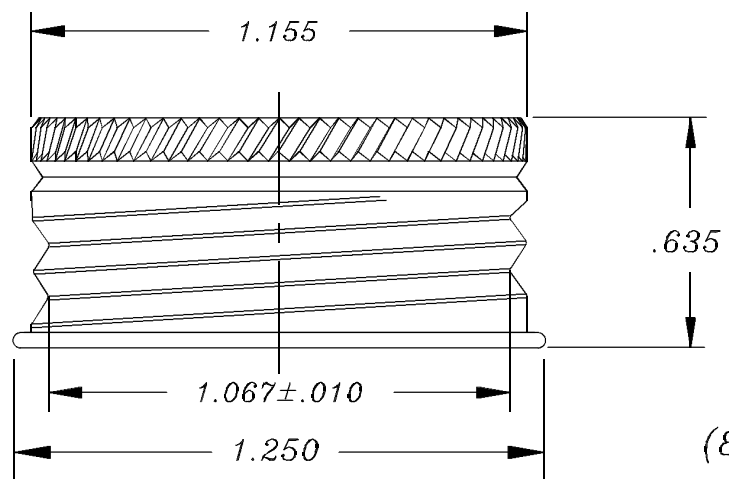


The
CARYCOMPANY
Est. 1895

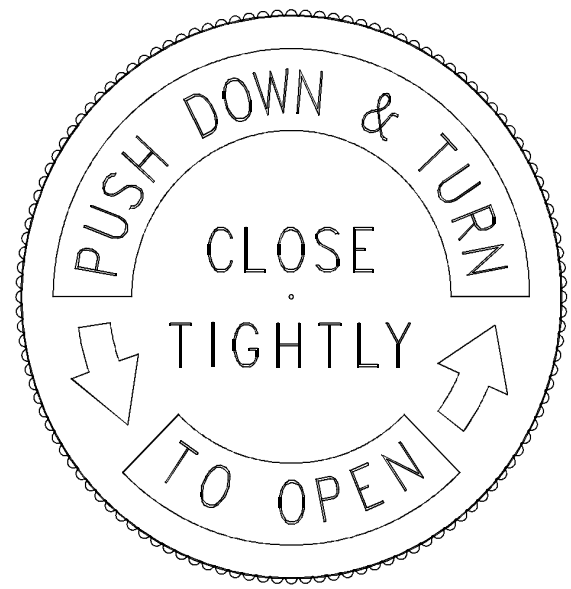
TOLERANCE: ±.015"
(Unless Specified)



PLASTIC
OVERCAP



METAL
INNERCAP
(8) Threads per Inch



1-1/8" BETA CAP CR

DRAWN BY : <i>H.N.</i>		APPR. BY : <i>G. McGrath</i>	
DATE : <i>03/31/14</i>		DATE :	
DWG. No	118-257	REV.	B