

IF YOU...



MIX IT. FILL IT. PACK IT. SHIP IT.

WE HAVE A **PRODUCT** FOR YOU

Part #30WCDT

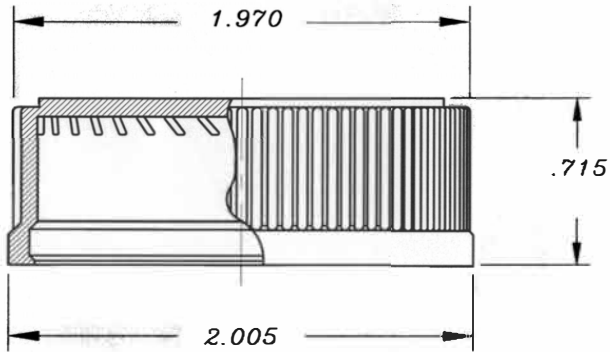
Metal Caps for Steel

1-3/4" Delta Child Resistant Cap w/Liner

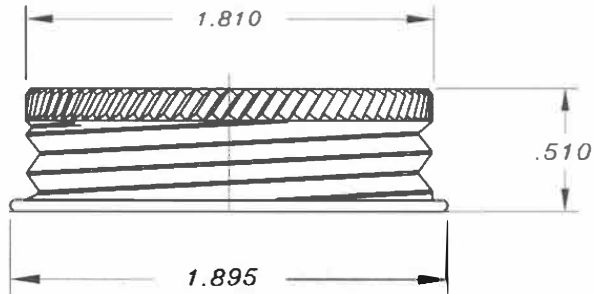


The
CARYCOMPANY
Est. 1895

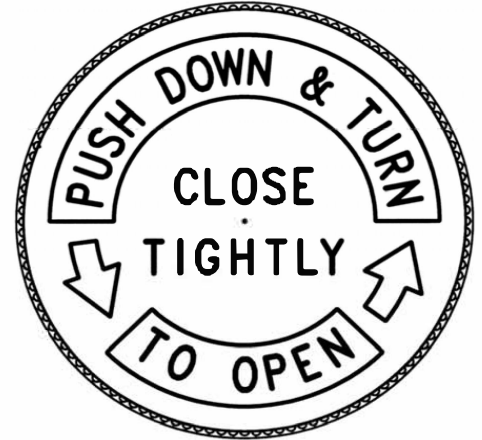
TOLERANCE: $\pm .015''$
(Unless Specified)



PLASTIC
OVERCAP



METAL
INNERCAP
(6) Threads per Inch



1-3/4" DELTA CAP CR

DRAWN BY : H.R.	APPR. BY : G. Buono
DATE : 04-28-83	DATE : 01-24-97
DWG. No	134-1598
	REV A