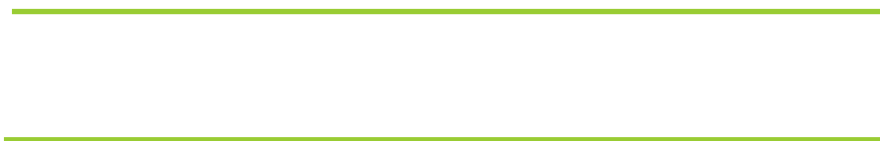


IF YOU...



MIX IT. FILL IT. PACK IT. SHIP IT.

WE HAVE A PRODUCT FOR YOU

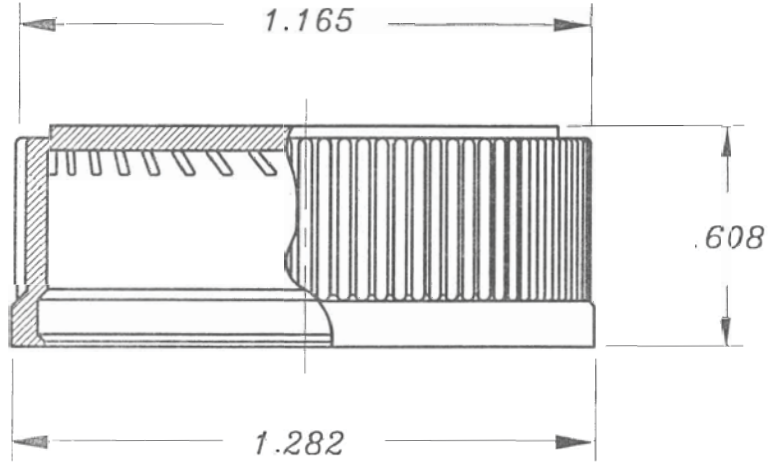


Part #	30WCRF
Neck Width	1"
Color	White
Material	Metal

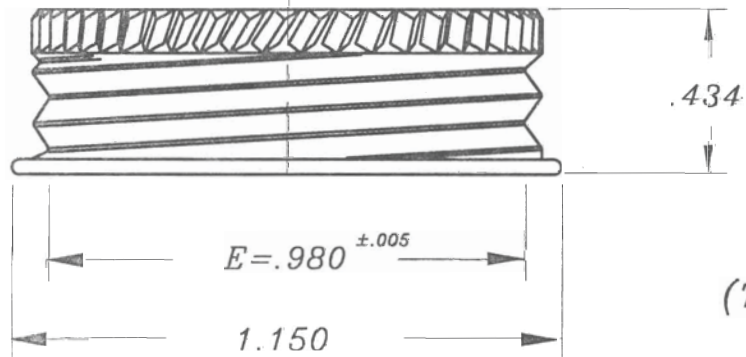
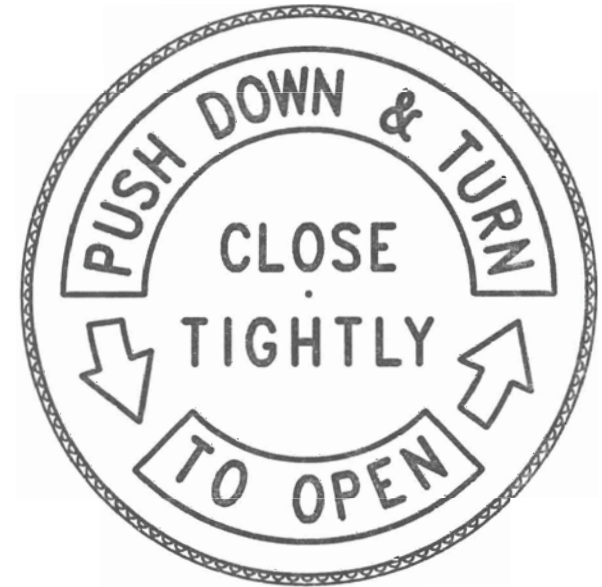


TOLERANCE: $\pm .015''$

(Unless Specified)



PLASTIC
OVERCAP



METAL
INNERCAP

(7) Threads per Inch

1" DELTA CAP C.R.

DRAWN BY : H. Romero APPR. BY : G. Buono

DATE : 04-27-83 DATE : 05-26-83

DWG. No 1-227 REV. B



PH 630-629-6600 - FX 630-629-3690
1195 W. FULLERTON AVE. - ADDISON, IL 60101
WWW.THECARYCOMPANY.COM