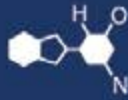


IF YOU...



MIX IT. FILL IT. PACK IT. SHIP IT.

WE HAVE A PRODUCT FOR YOU

Part #: 30WCS1

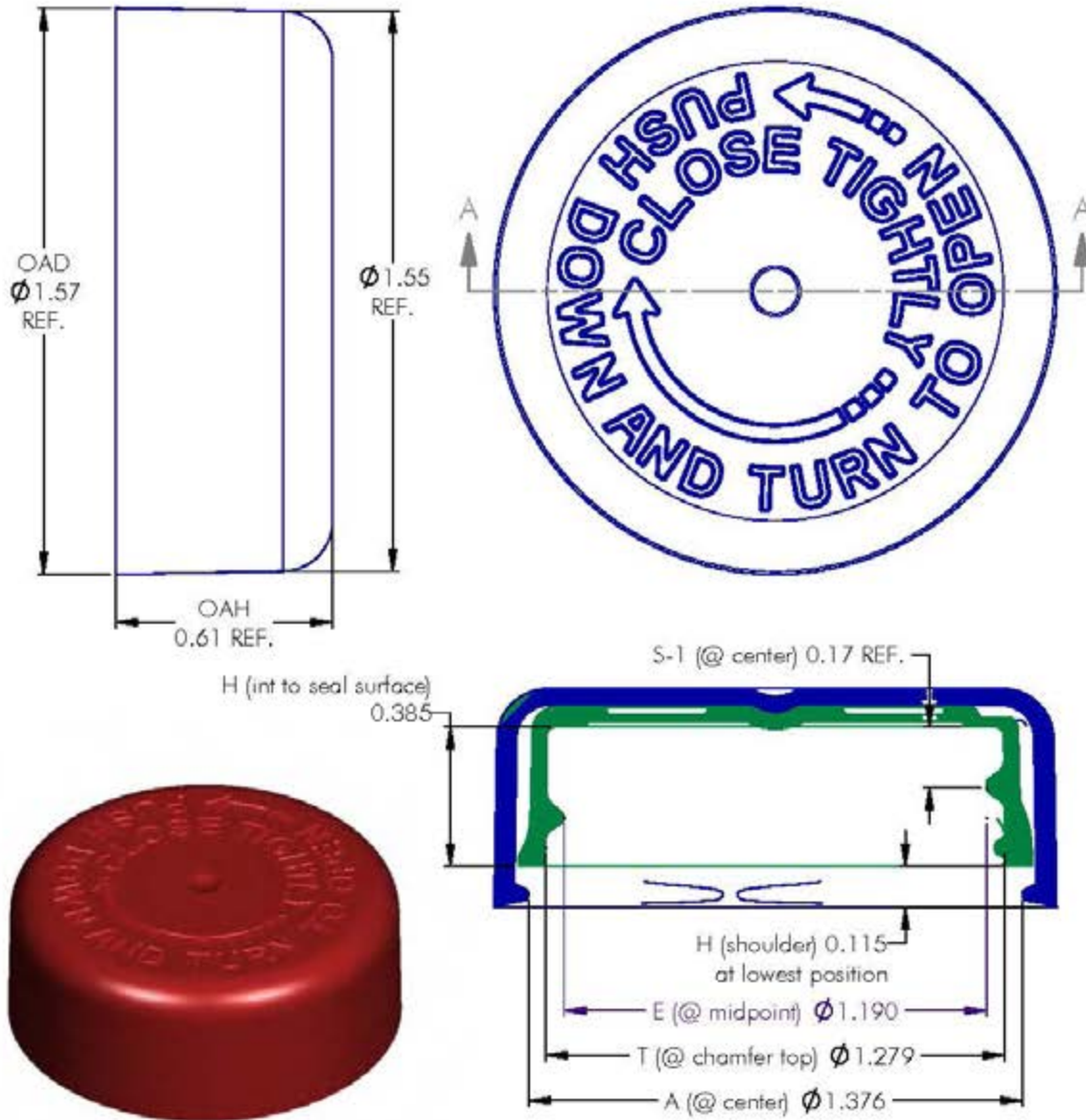


The
CARYCOMPANY
Est. 1895

1195 W. Fullerton Ave. | Addison, IL 60101 | T: 630.629.6600 | F: 630.629.3690 |

CHILD-RESISTANT CLOSURES

30WCS1



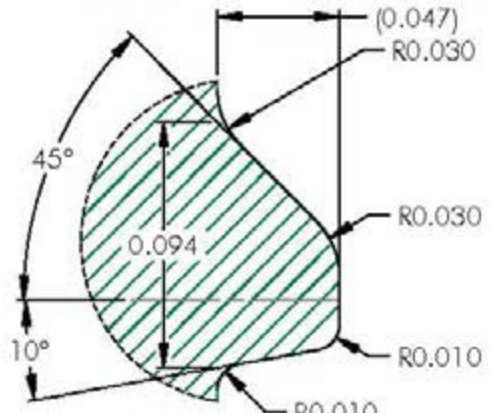
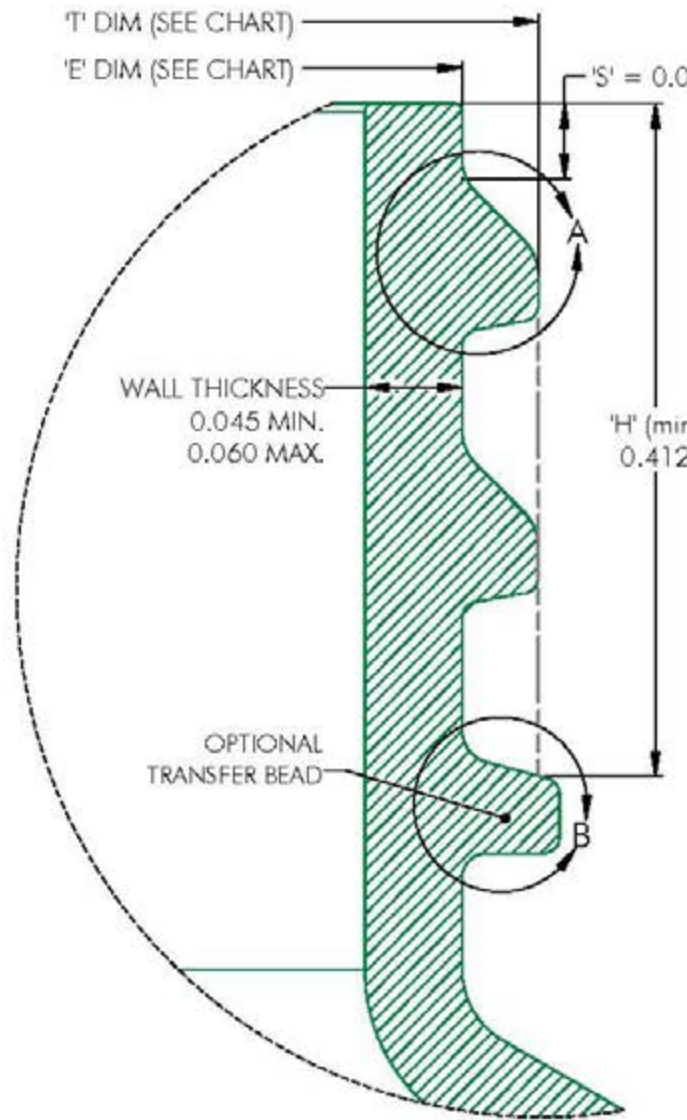
NOTES: (UNLESS OTHERWISE SPECIFIED)
 1. ALL DIMENSIONS ARE IN INCHES.
 2. SEE CHART FOR DIMENSIONAL TOLERANCE.

2	09.27.19	Update 'E' Dim. to Reflect Production	DN
REV	DATE	DESCRIPTION	BY
TOLERANCE		PITCH/TP. 167 / 6	TURNS 345°
.X	± 0.1	MATL	PP
.XX	± 0.02	DRAWN DMN	DATE 06.24.19
.XXX	± 0.010	SCALE	5 : 2
30WCS1			REV
			2

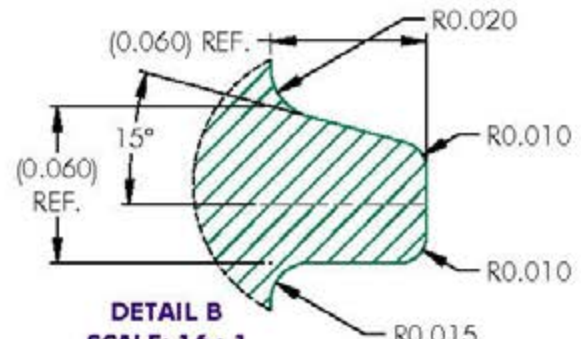
The **CARY COMPANY** Est. 1895

CHILD-RESISTANT CLOSURES

30WCS1



DETAIL A
SCALE: 16 : 1



DETAIL B
SCALE: 16 : 1

MATERIAL	T (mean)	E (mean)	TOLERANCE
PP / PE	1.253	1.159	± 0.012
PET	1.257	1.163	± 0.008
GLASS	0.0000	0.0000	± 0.0000

NOTES: (UNLESS OTHERWISE SPECIFIED)
1. ALL DIMENSIONS ARE IN INCHES.
2. SEE CHART FOR DIMENSIONAL TOLERANCE.

The **CARY COMPANY**
Est. 1895

1	03.13.17	Update wall thickness to reflect Market	DN
REV	DATE	DESCRIPTION	BY
TOLERANCE	PITCH/TPI .167 / 6	TURNS 1-1/8	MATL PER CHART
X ±0.1	DRAWN DMN	DATE 03.13.17	SCALE 10 : 1
XX ±0.02	30WCS1		REV
XXX ±0.010			1