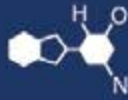


# IF YOU...



MIX IT. FILL IT. PACK IT. SHIP IT.

# WE HAVE A **PRODUCT** FOR YOU

Part #: 30WCS7

---

---



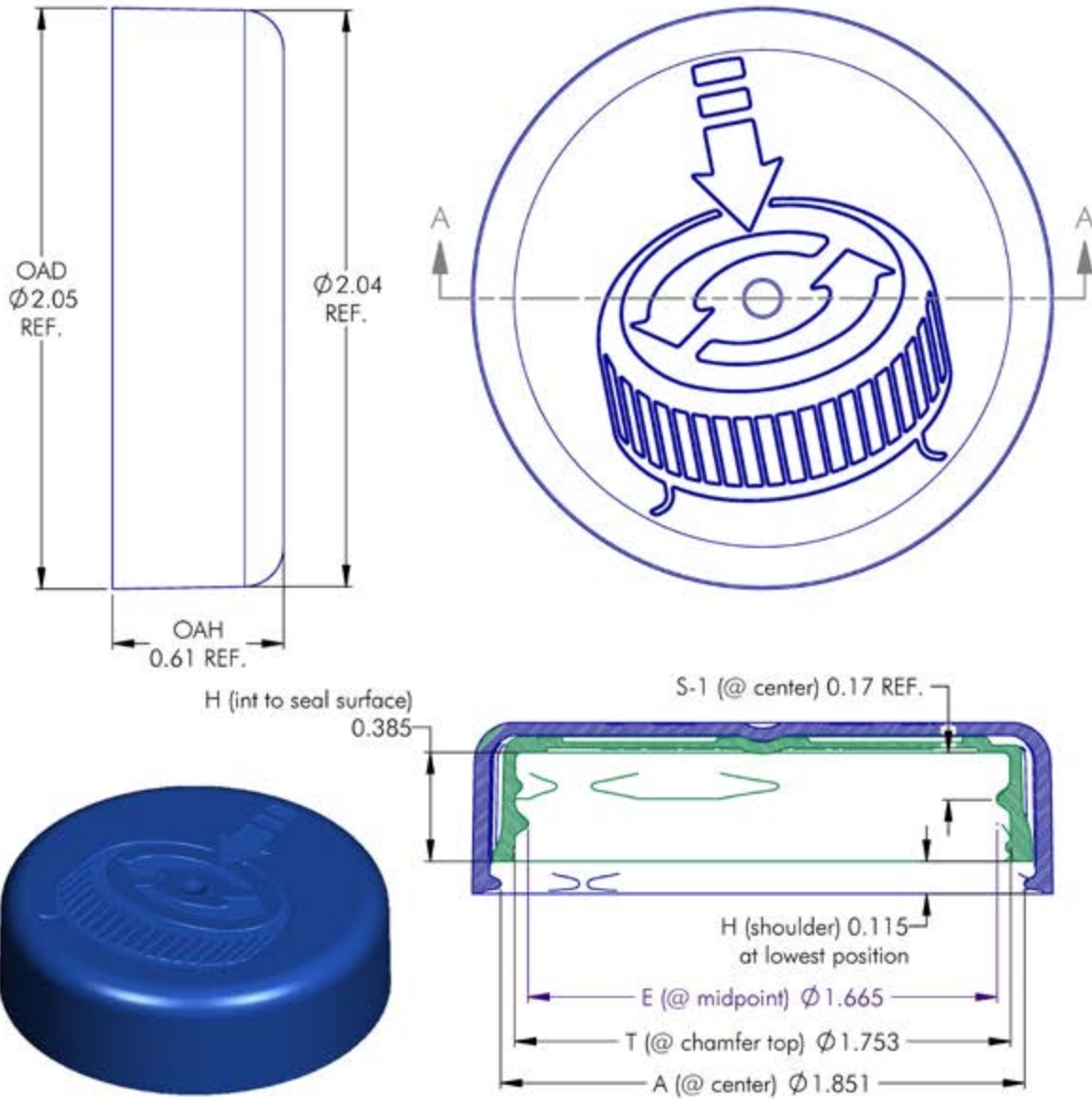
---

The  
**CARY**COMPANY  
Est. 1895

1195 W. Fullerton Ave. | Addison, IL 60101 | T: 630.629.6600 | F: 630.629.3690 |

CHILD-RESISTANT CLOSURES

# 30WCS7



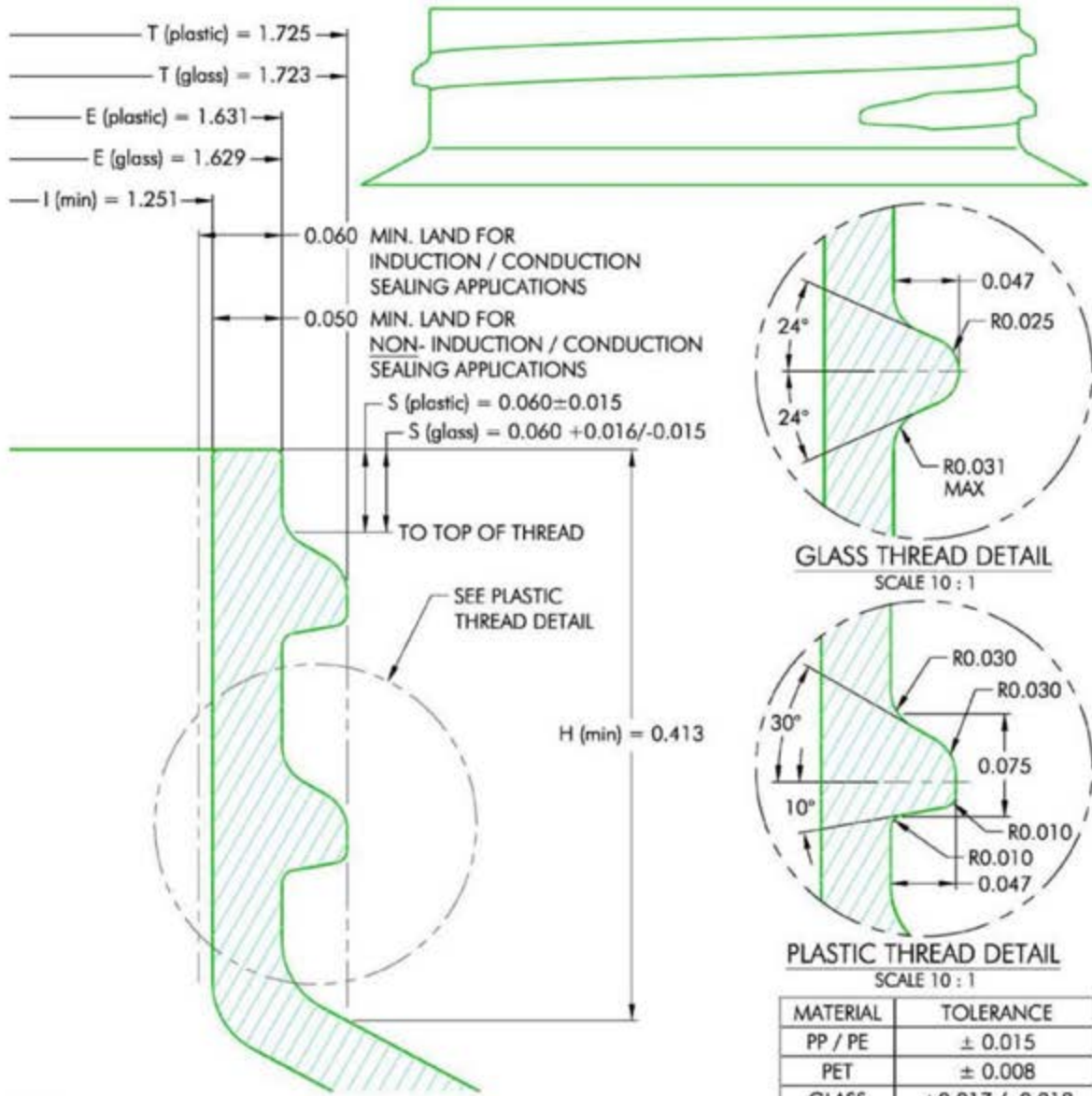
NOTES: (UNLESS OTHERWISE SPECIFIED)  
 1. ALL DIMENSIONS ARE IN INCHES.  
 2. SEE CHART FOR DIMENSIONAL TOLERANCE.

The **CARY COMPANY**  
 Est. 1895

1	07.03.19	Update 'E' Dim. to Reflect Production	DN
REV	DATE	DESCRIPTION	BY
TOLERANCE	PITCH/TPI .167 / 6	TURNS 345°	MATL PP
.X $\pm 0.1$	DRAWN DMN	DATE 08.28.16	SCALE 2 : 1
.XX $\pm 0.02$	<b>30WCS7</b>		REV 1
.XXX $\pm 0.010$			

CHILD-RESISTANT CLOSURES

# 30WCS7



NOTES: (UNLESS OTHERWISE SPECIFIED)		0 09.17.96 Released		BZ	
1. ALL DIMENSIONS ARE IN INCHES.		REV	DATE	DESCRIPTION	BY
2. SEE CHART FOR DIMENSIONAL TOLERANCE.		TOLERANCE	PITCH/TPI .167 / 6	TURNS 1-1/8	MATL Per Chart
<b>The CARY COMPANY</b> Est. 1895	.X $\pm 0.1$	DRAWN BEZ	DATE 09.17.96	SCALE 10 : 1	REV
	.XX $\pm 0.02$	<b>30WCS7</b>			0
	.XXX $\pm 0.010$				